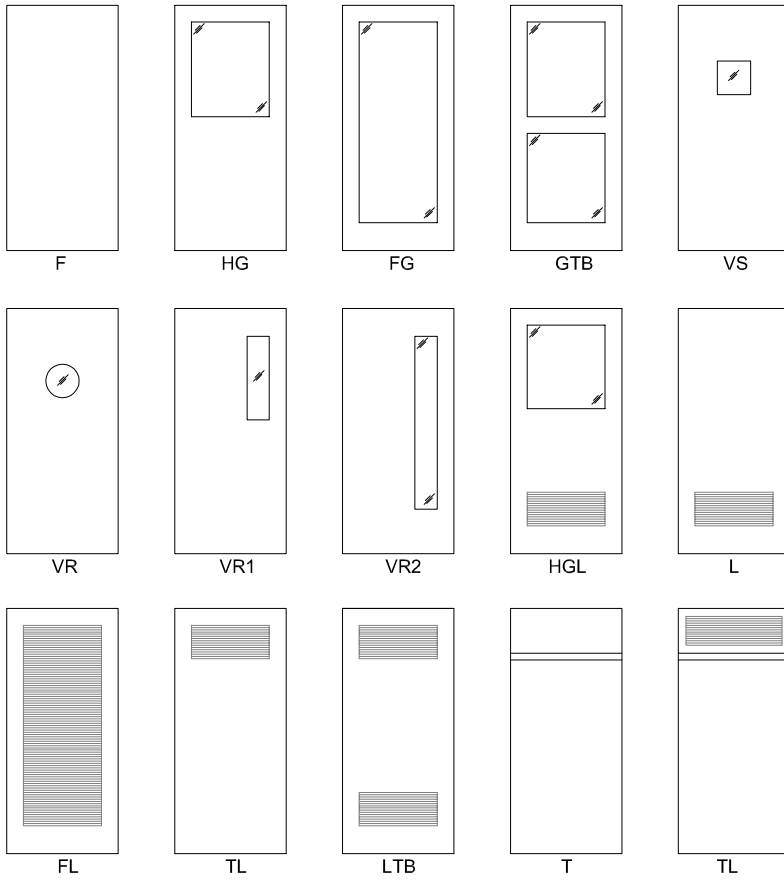


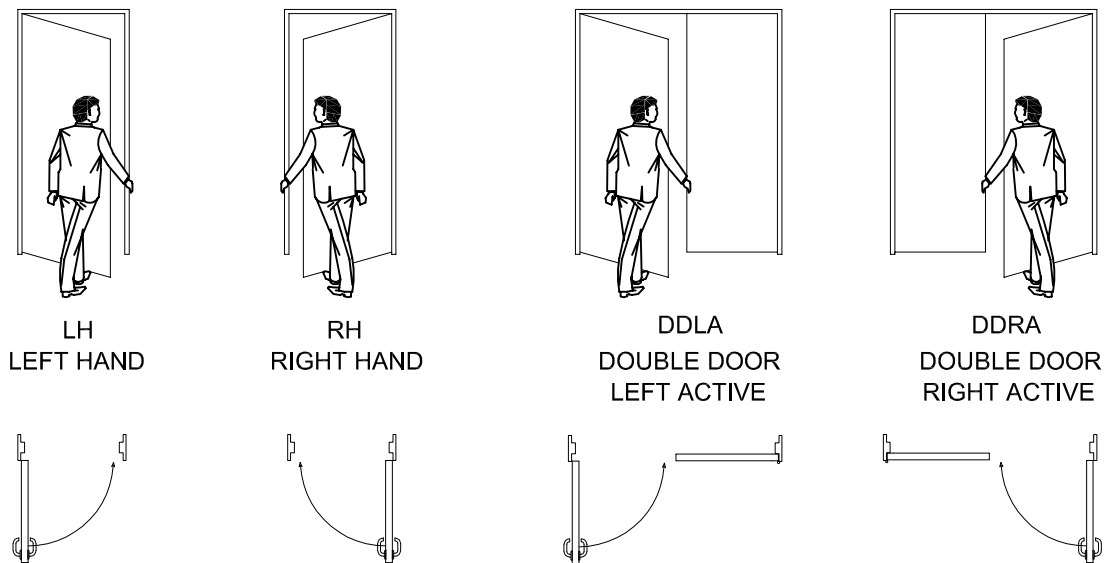
**DOOR DESIGN**



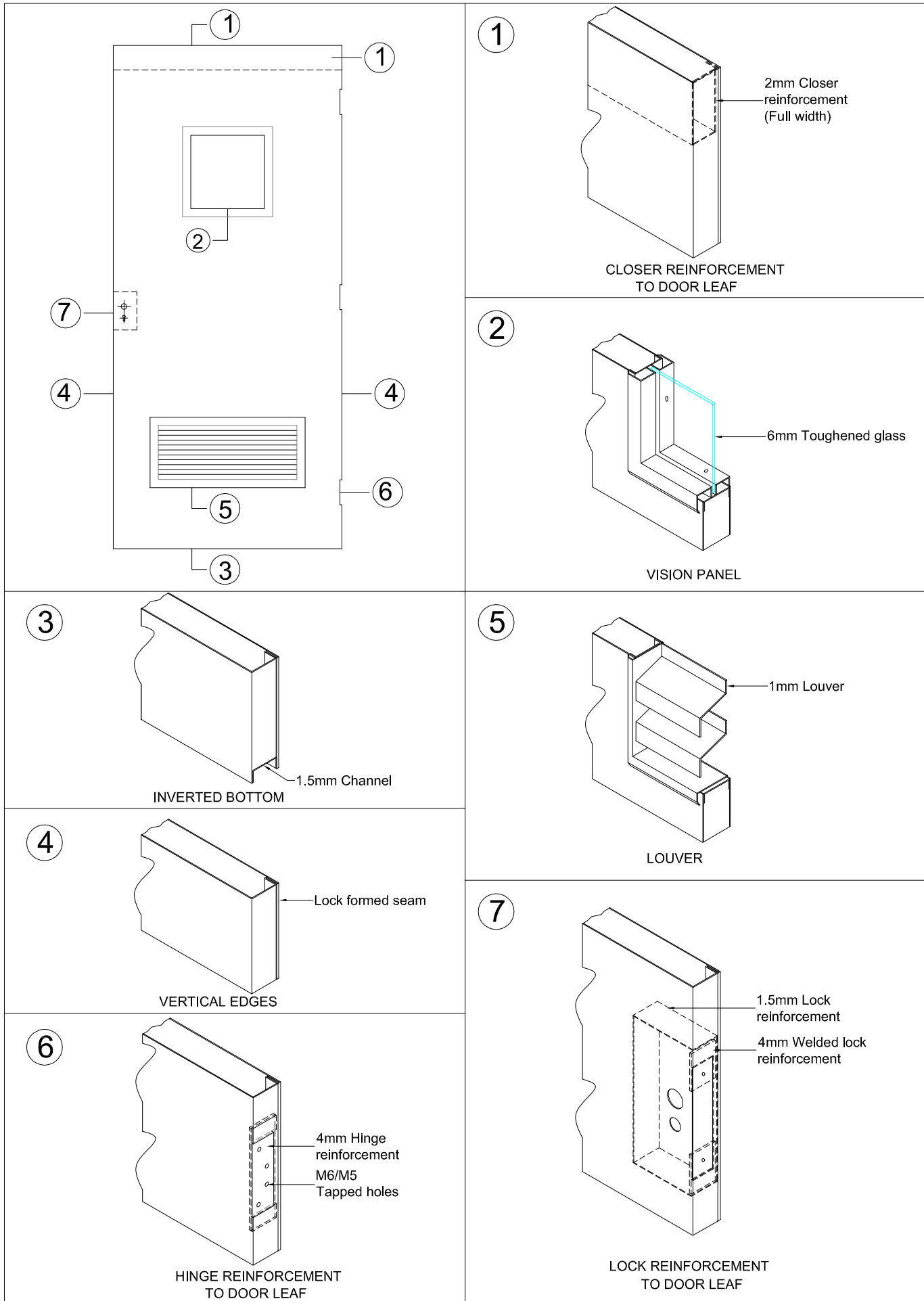
- F - Full Solid
- HG - Half Glaze
- FG - Full Glaze
- GTB - Glaze Top and Bottom
- VS - Vision Square(300mmx300mm)
- VR - Vision Round(300mm dia)
- VR1 - Vision Rectangle
- VR2 - Vision Rectangle
- HGL- Half Glaze Louver
- L- Louver
- FL- Full Louver
- TL- Top Louver
- LTB- Louver Top and Bottom
- T- Transom
- TL- Transom with Louver

Other designs available to individual clients specifications

**DOOR HANDING**



**DOOR LEAF CONSTRUCTION**



**DOUBLE DOOR-GLAZED**

2 Hour fire rating

**STANDARD SPECIFICATION:**

(BS 476 Part 22)

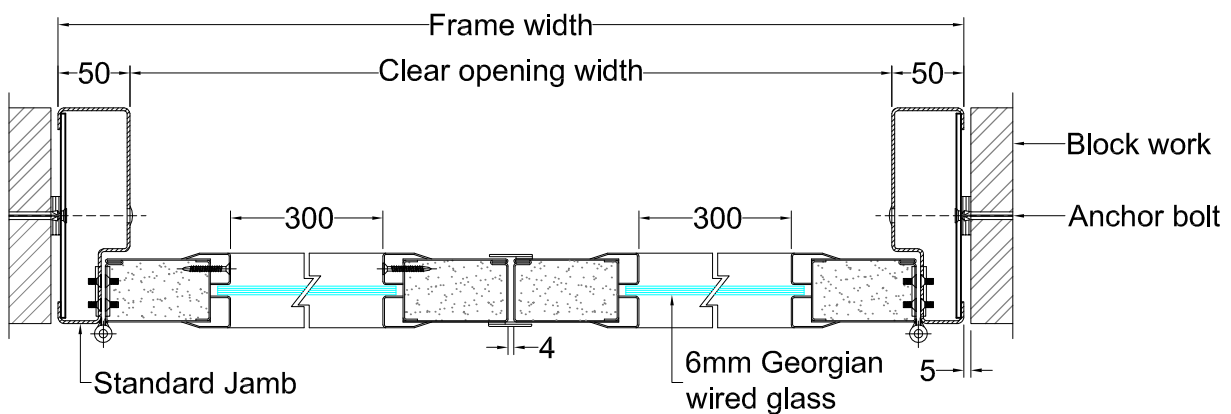
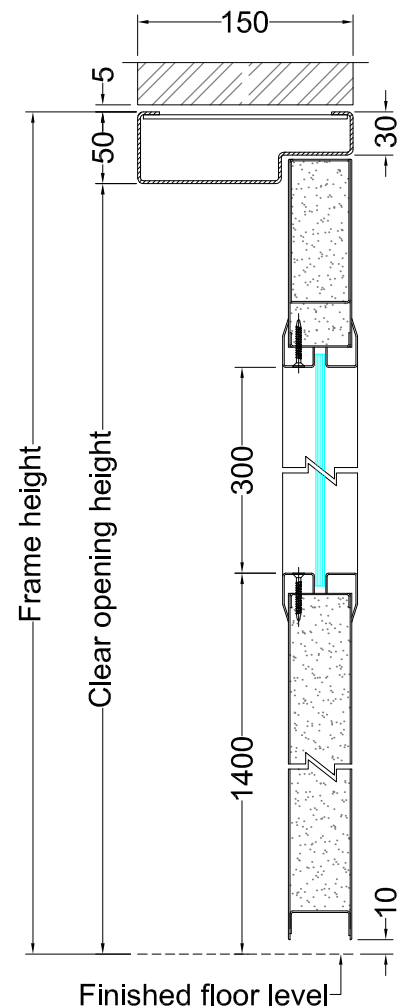
**DOOR LEAF:** 1.5mm thick slip coated pre-galvanised steel to ASTM A 527/ASTM A525, JIS G 3302 or BS 2989(1194). Zinc coating 120g/Sq.m. Lockformed panels, 4mm thick hinge reinforcing plates, hardware mounting plates and lock reinforcement.

**DOOR FRAME:** 2mm thick pre-galvanised steel sheet with welded or knockdown constructions with 4mm hinge reinforcing plates, fixing straps, hardware mounting plates and mortar guards.

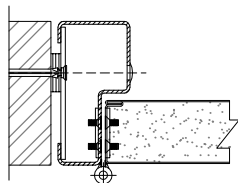
**CORE MATERIAL:** Non-combustible Mineral fibre infill

**VISION PANEL :** Standard vision panel size:300x300mm

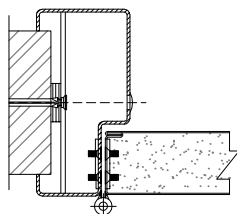
**FINISH:** Polyester powder coating



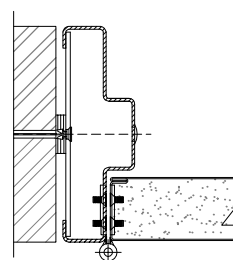
Various Rabbets available



Single



Knock down



Double

2 Hour fire rating

**DOUBLE DOOR**

4 Hour fire rating

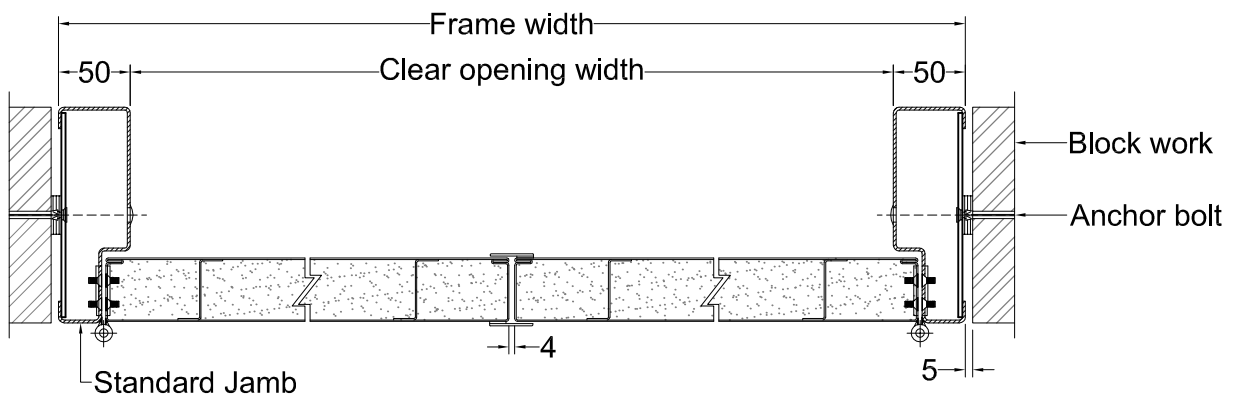
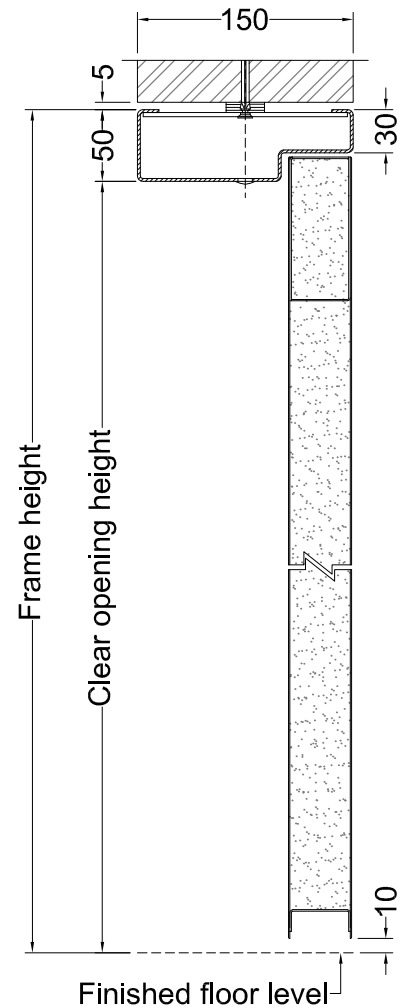
**STANDARD SPECIFICATION:**  
(BS 476 Part 22)

**DOOR LEAF:** 1.5mm thick slip coated pre-galvanised steel to ASTM A 527/ASTM A525, JIS G 3302 or BS 2989(1194). Zinc coating 120g/Sq.m. Lockformed panels, 4mm thick hinge reinforcing plates, hardware mounting plates and lock reinforcement.

**DOOR FRAME:** 2mm thick pre-galvanised steel sheet with welded or knockdown constructions with 4mm hinge reinforcing plates, fixing straps, hardware mounting plates and mortar guards.

**CORE MATERIAL:** Non-combustible Mineral fibre infill

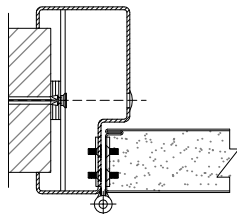
**FINISH:** Polyester powder coating



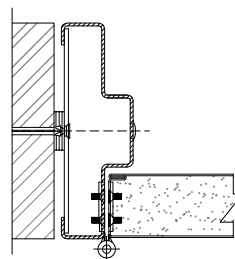
Various Rabbets available



Single

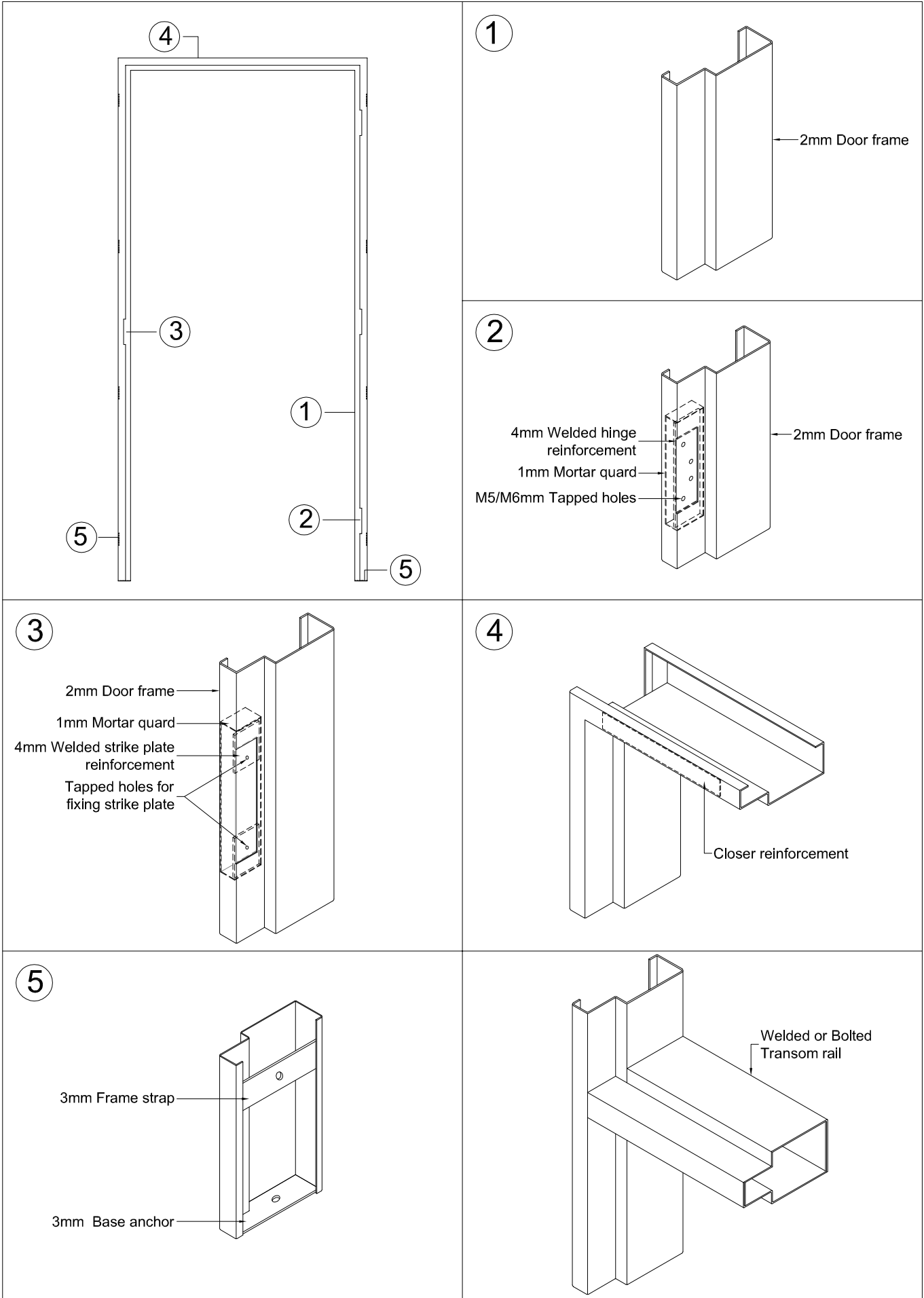


Knock down



Double

**DOOR FRAME CONSTRUCTION**





**SINGLE DOOR-GLAZED**

**2 Hour fire rating**

**STANDARD SPECIFICATION:**  
(BS 476 Part 22)

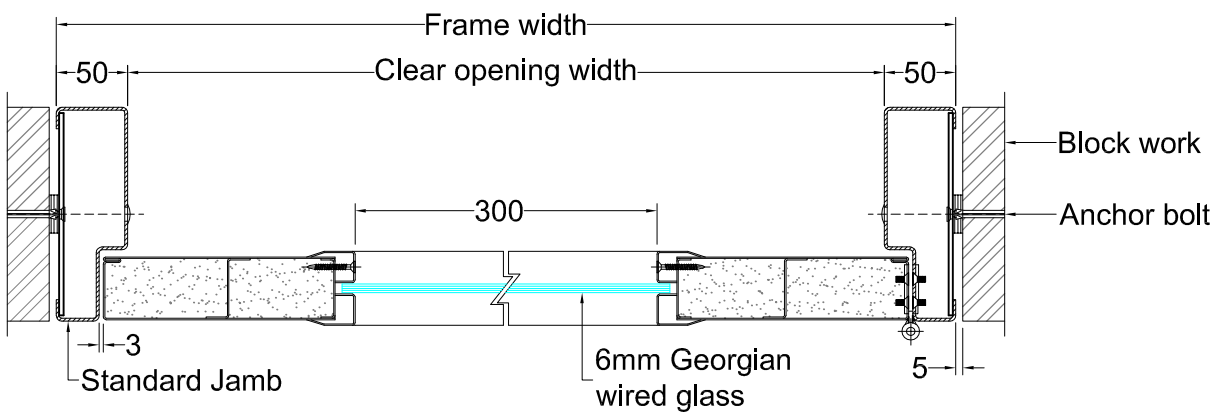
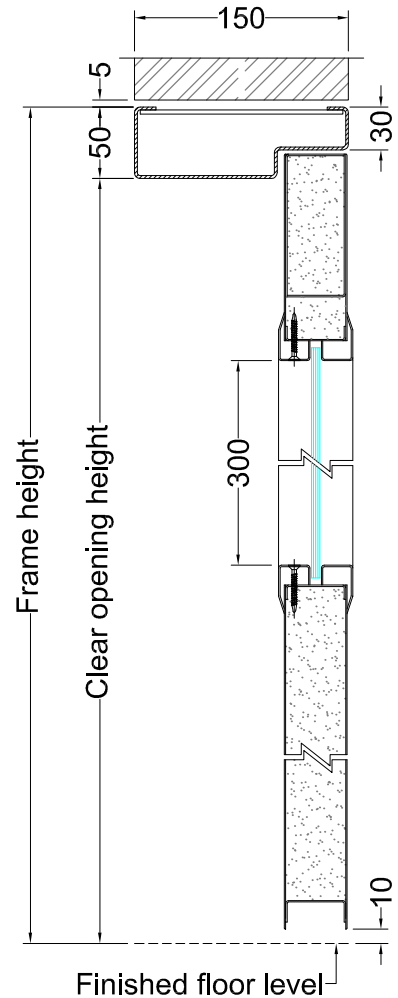
**DOOR LEAF:** 1.5mm thick slip coated pre-galvanised steel to ASTM A 527/ASTM A525, JIS G 3302 or BS 2989(1194). Zinc coating 120g/Sq.m. Lockformed panels, 4mm thick hinge reinforcing plates, hardware mounting plates and lock reinforcement.

**DOOR FRAME:** 2mm thick pre-galvanised steel sheet with welded or knockdown constructions with 4mm hinge reinforcing plates, fixing straps, hardware mounting plates and mortar guards.

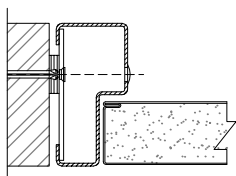
**CORE MATERIAL:** Non-combustible Mineral fibre infill

**VISION PANEL :** Standard vision panel size:300x300mm

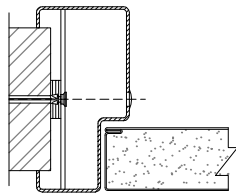
**FINISH:** Polyester powder coating



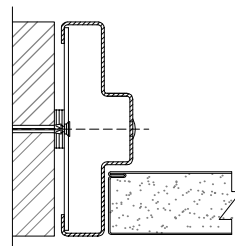
Various Rabbets available



Single



Knock down



Double

**SINGLE DOOR**

4 Hour fire rating

**STANDARD SPECIFICATION:**

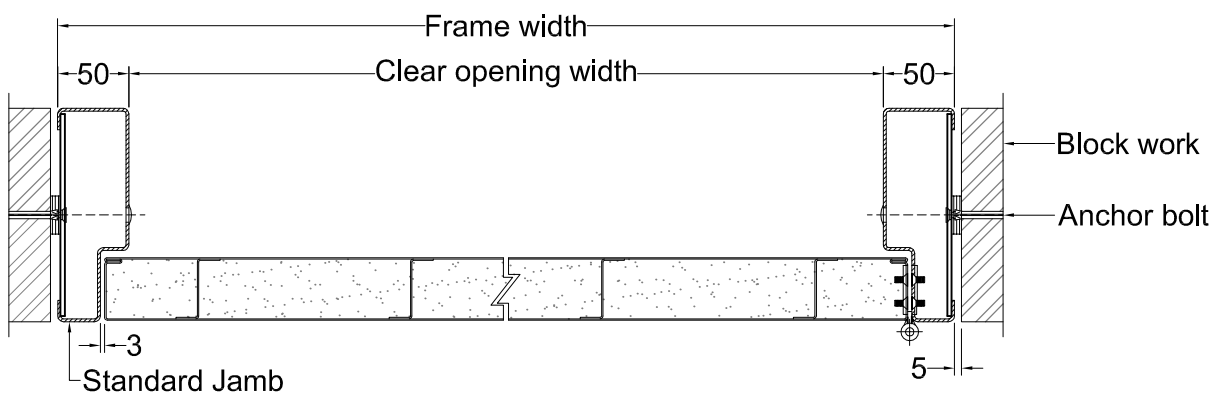
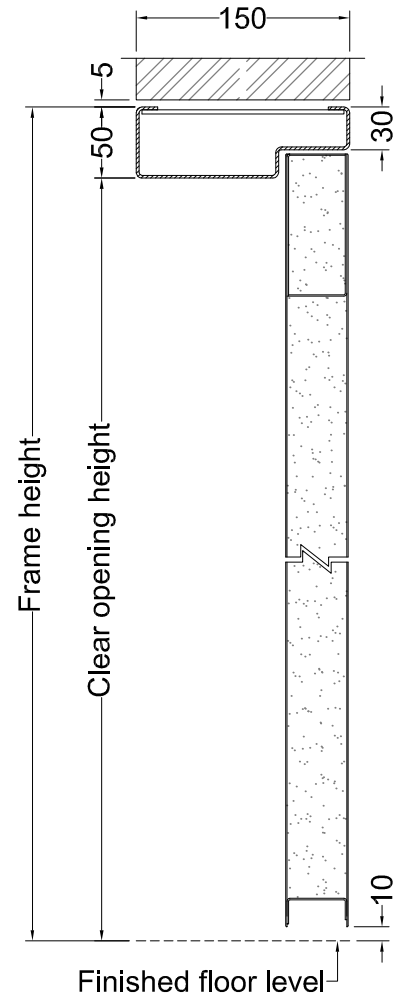
(BS 476 Part 22)

**DOOR LEAF:** 1mm thick slip coated pre-galvanised steel to ASTM A 527/ASTM A525, JIS G 3302 or BS 2989(1194). Zinc coating 120g/Sq.m. Lockformed panels, 4mm thick hinge reinforcing plates, hardware mounting plates and lock reinforcement.

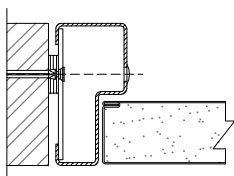
**DOOR FRAME:** 1.5mm thick pre-galvanised steel sheet with welded or knockdown constructions with 4mm hinge reinforcing plates, fixing straps, hardware mounting plates and mortar guards.

**CORE MATERIAL:** Non-combustible Mineral fibre infill

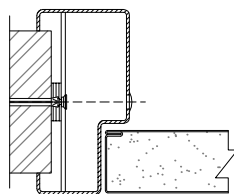
**FINISH:** Polyester powder coating



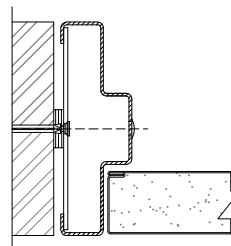
Various Rabbets available



Single



Knock down



Double