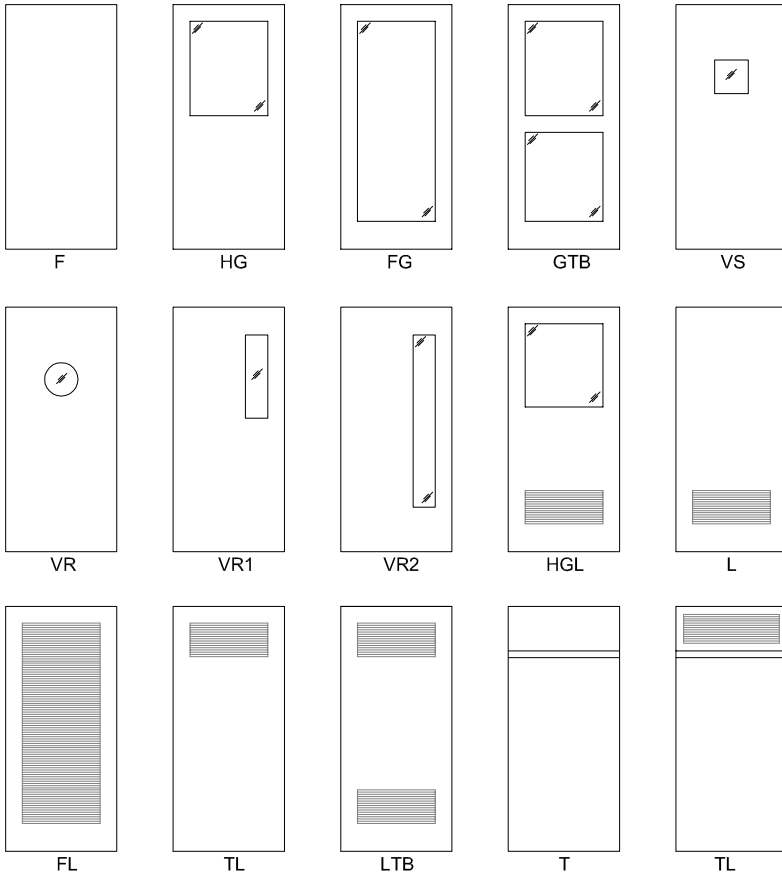


DOOR DESIGN



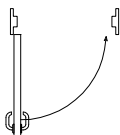
- F - Full Solid
- HG - Half Glaze
- FG - Full Glaze
- GTB - Glaze Top and Bottom
- VS - Vision Square(300mmx300mm)
- VR - Vision Round(300mm dia)
- VR1 - Vision Rectangle
- VR2 - Vision Rectangle
- HGL- Half Glaze Louver
- L- Louver
- FL- Full Louver
- TL- Top Louver
- LTB- Louver Top and Bottom
- T- Transom
- TL- Transom with Louver

Other designs available to individual clients specifications

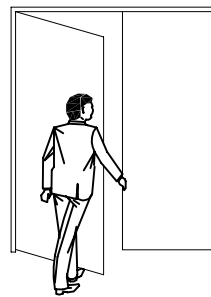
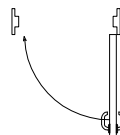
DOOR HANDING



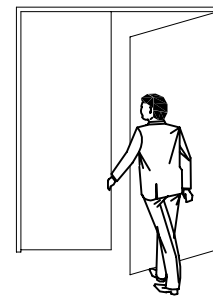
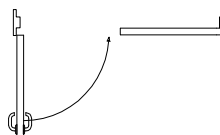
LH
LEFT HAND



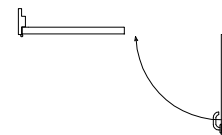
RH
RIGHT HAND



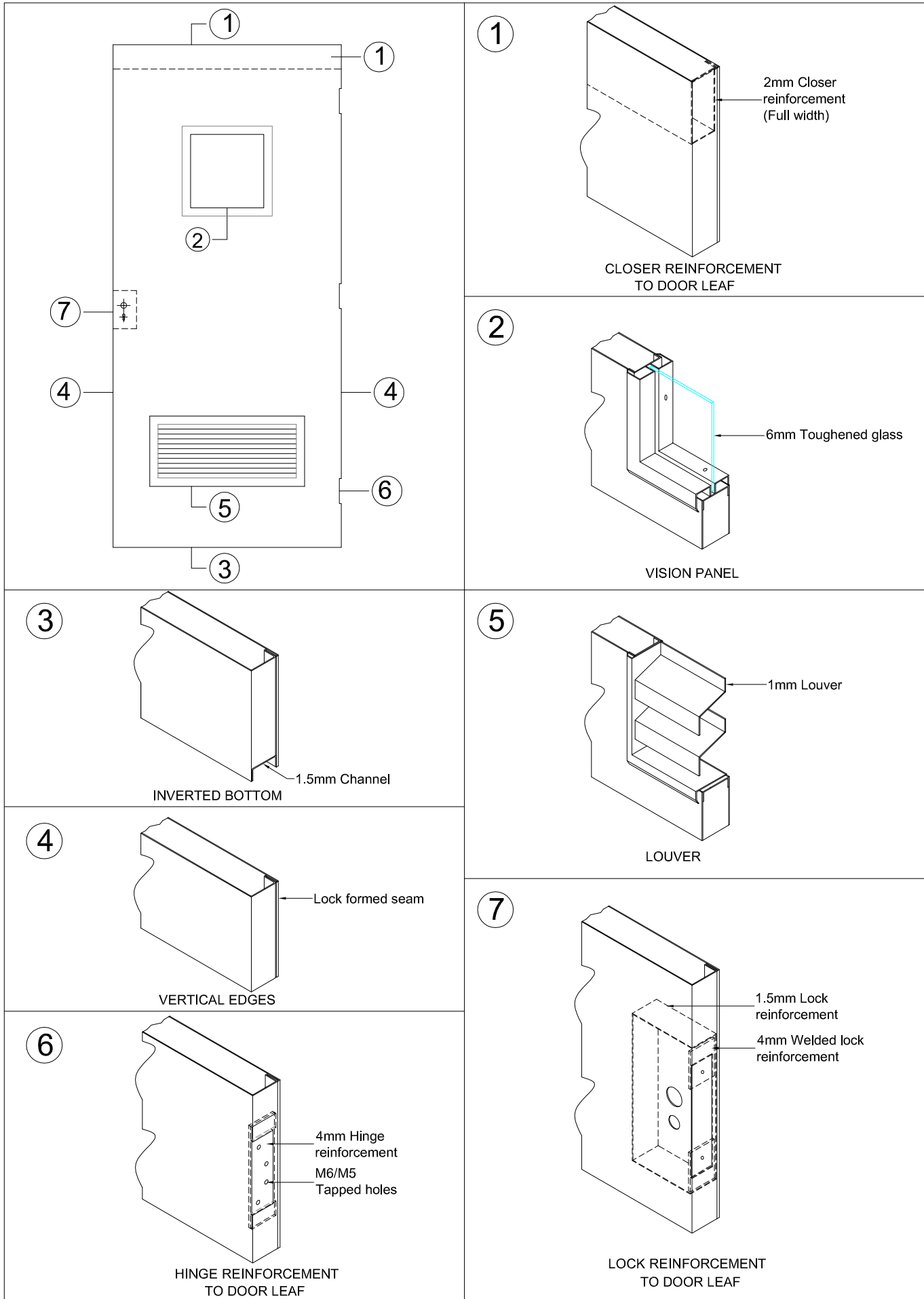
DDLA
DOUBLE DOOR
LEFT ACTIVE



DDRA
DOUBLE DOOR
RIGHT ACTIVE



DOOR LEAF CONSTRUCTION



DOUBLE DOOR-GLAZED

4 Hour fire rating

STANDARD SPECIFICATION:

(BS 476 Part 22)

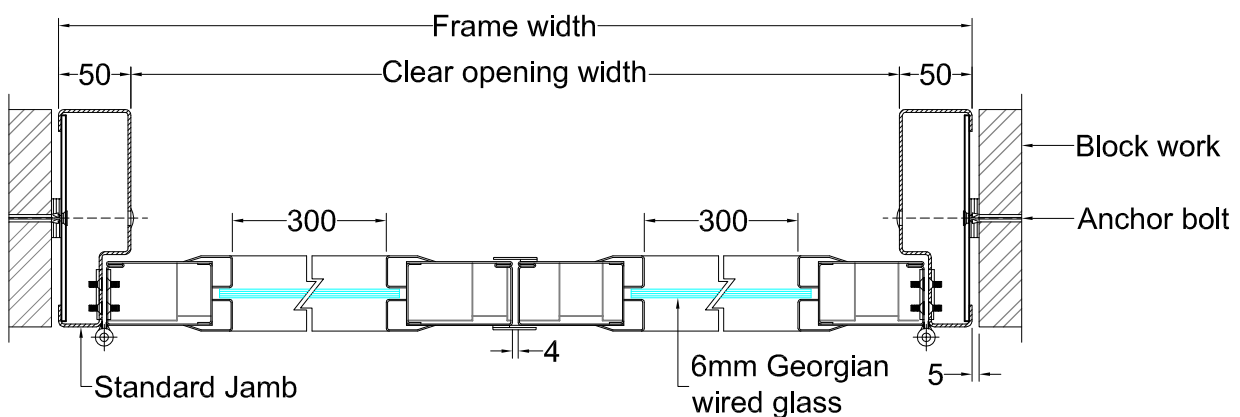
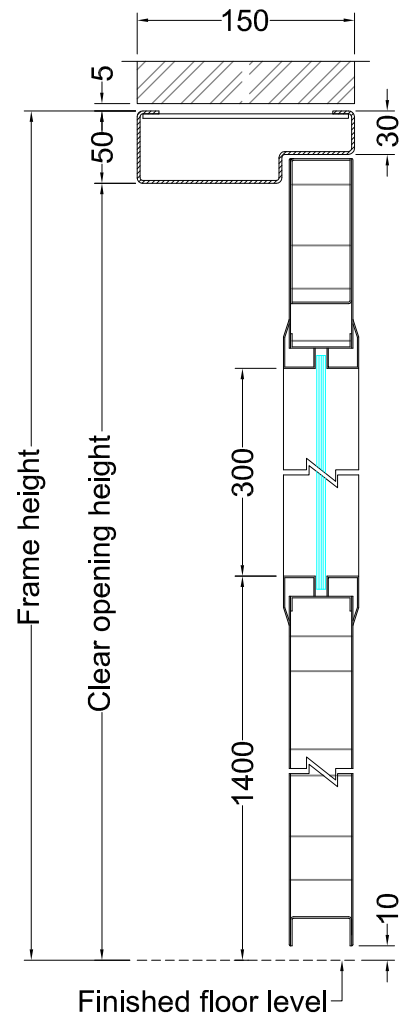
DOOR LEAF: 1mm thick slip coated pre-galvanised steel to ASTM A 527/ASTM A525, JIS G 3302 or BS 2989(1194). Zinc coating 120g/Sq.m. Lockformed panels, 4mm thick hinge reinforcing plates, hardware mounting plates and lock reinforcement.

DOOR FRAME: 1.5mm thick pre-galvanised steel sheet with welded or knockdown constructions with 4mm hinge reinforcing plates, fixing straps, hardware mounting plates and mortar guards.

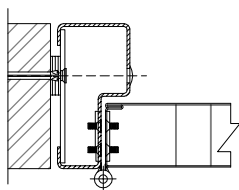
CORE MATERIAL: Paper core infill

VISION PANEL : Standard vision panel size:300x300mm

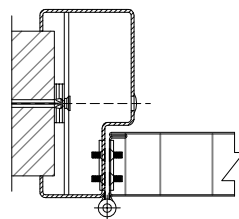
FINISH: Polyester powder coating



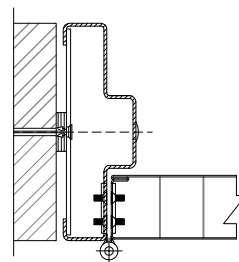
Various Rabbets available



Single



Knock down



Double

DOUBLE DOOR

4 Hour Fire Rating

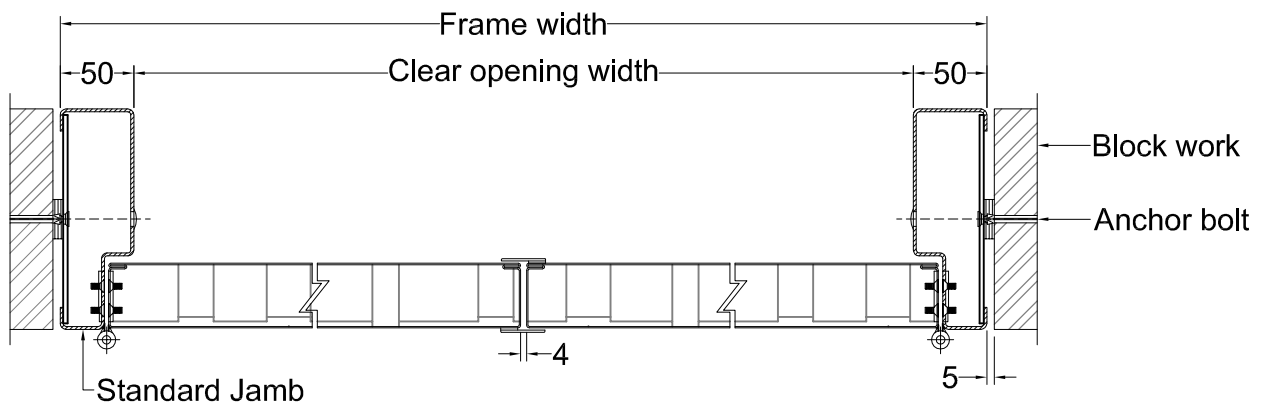
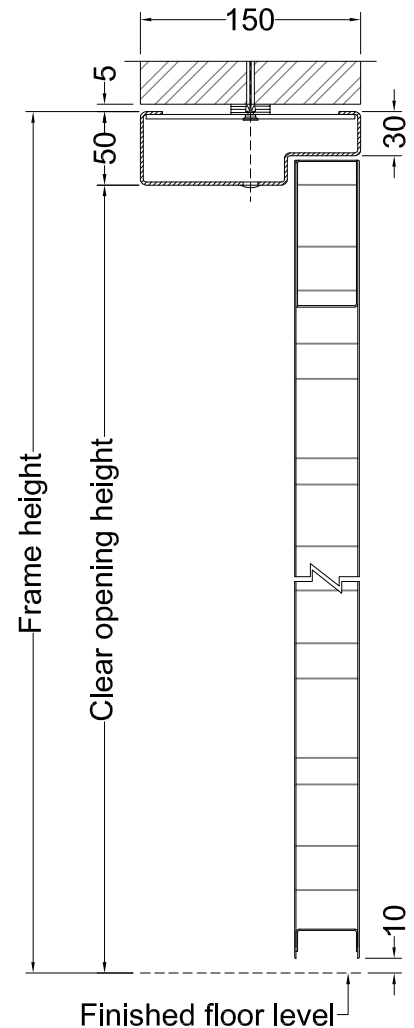
STANDARD SPECIFICATION:
(BS 476 Part 22)

DOOR LEAF: 1mm thick slip coated pre-galvanised steel to ASTM A 527/ASTM A525, JIS G 3302 or BS 2989(1194). Zinc coating 120g/Sq.m. Lockformed panels, 4mm thick hinge reinforcing plates, hardware mounting plates and lock reinforcement.

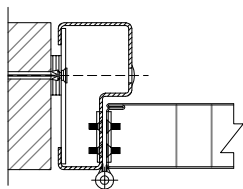
DOOR FRAME: 1.5mm thick pre-galvanised steel sheet with welded or knowdown constructions with 4mm hinge reinforcing plates, fixing straps, hardware mounting plates and mortar guards.

CORE MATERIAL: Paper core infill

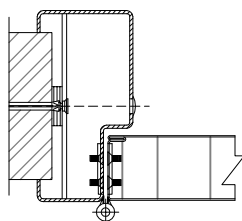
FINISH: Polyester powder coating



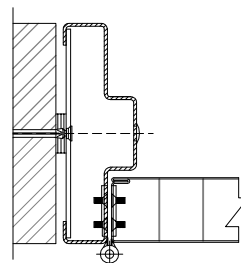
Various Rabbets available



Single

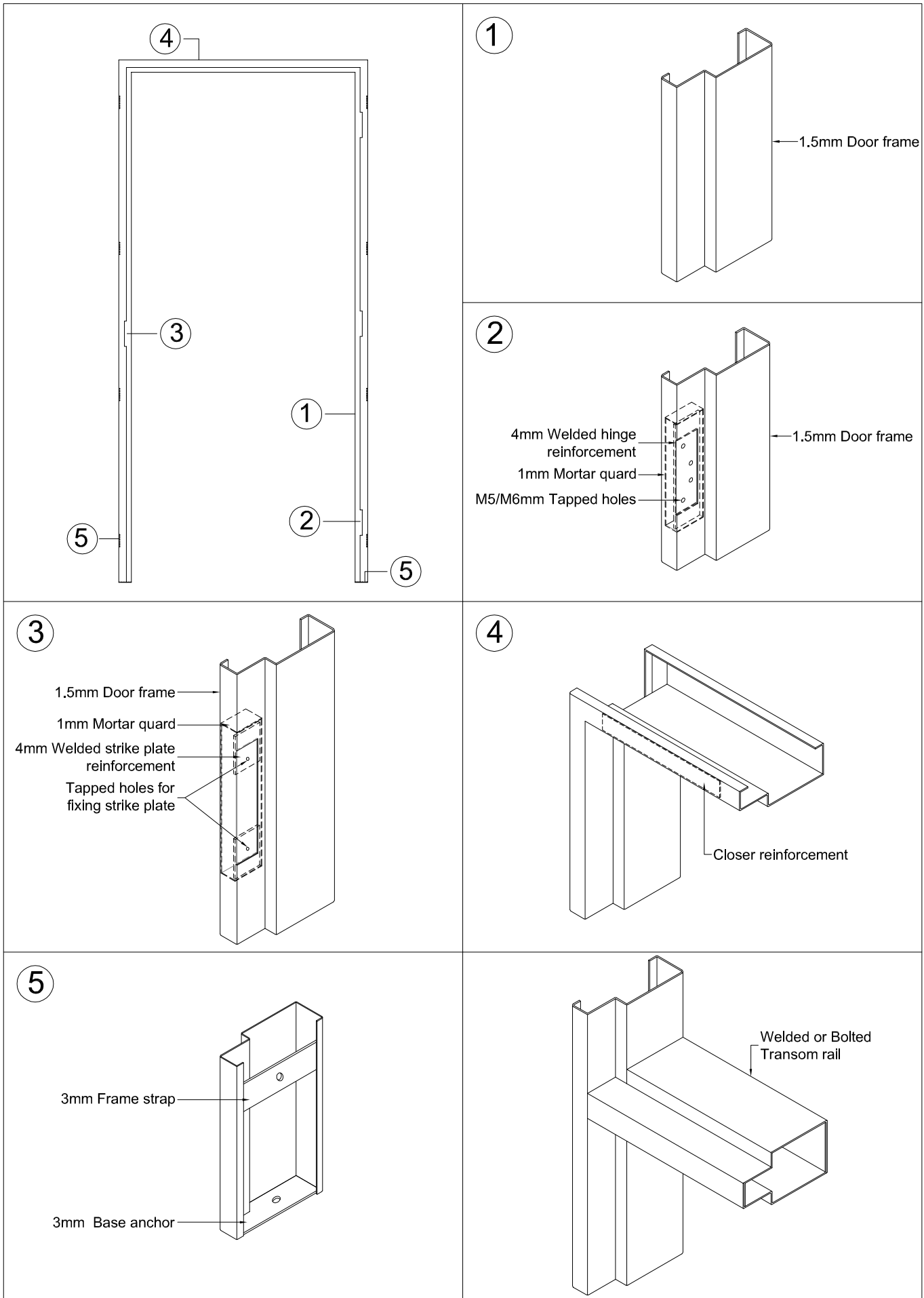


Knock down

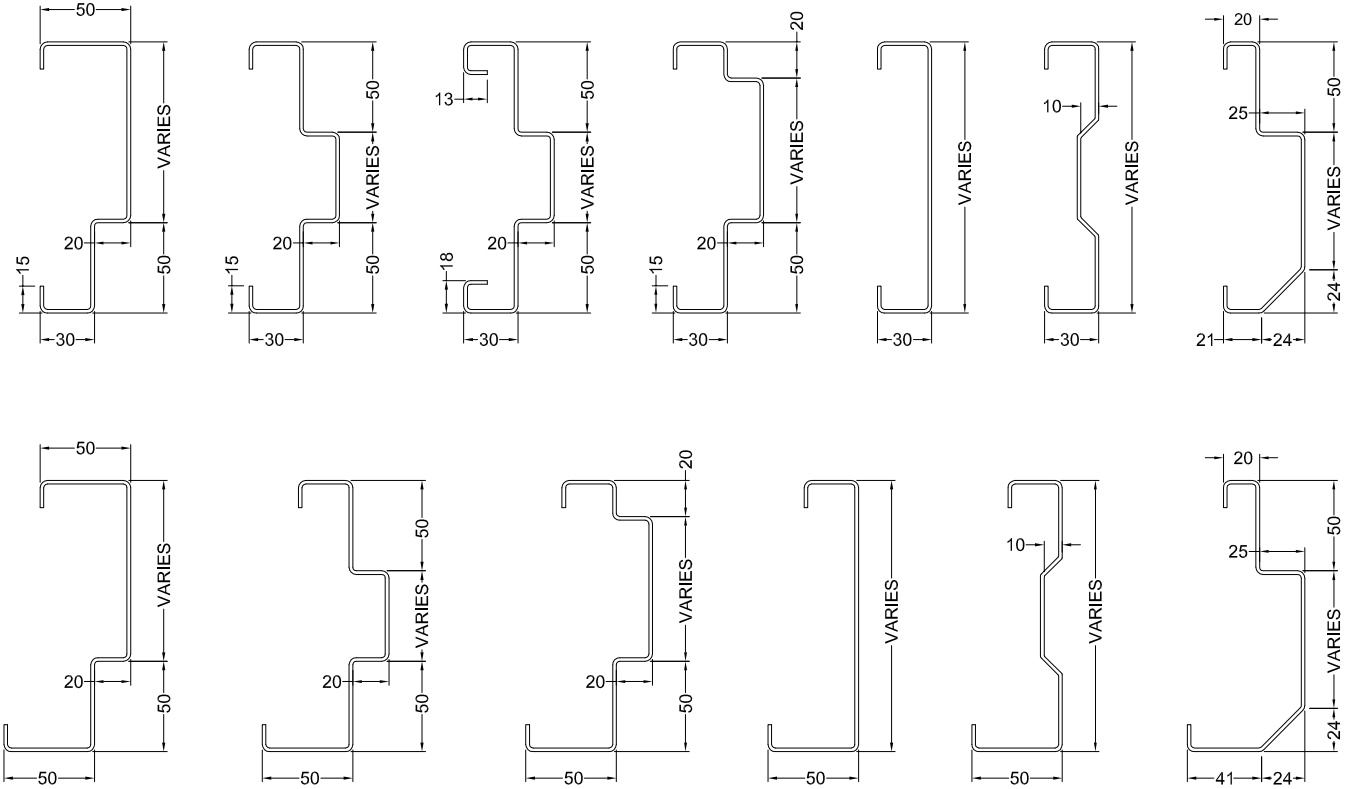


Double

DOOR FRAME CONSTRUCTION

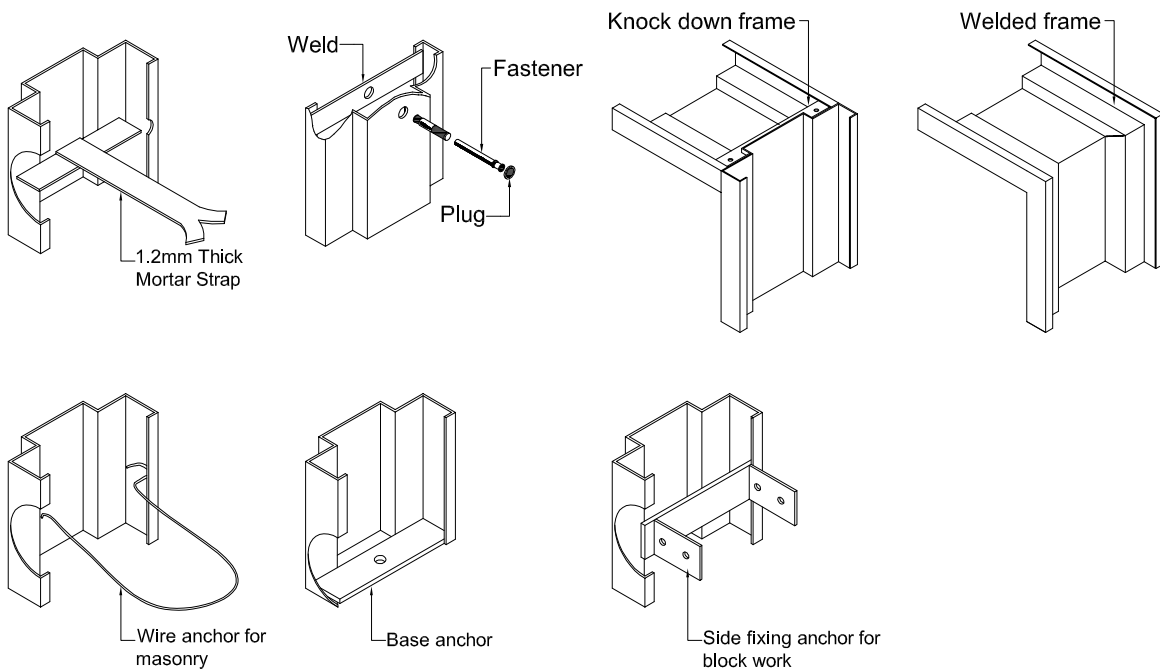


FRAME PROFILES



Various non standard frame profiles available on request

FRAME FIXING



SINGLE DOOR-GLAZED

4 Hour fire rating

STANDARD SPECIFICATION:

(BS 476 Part 22)

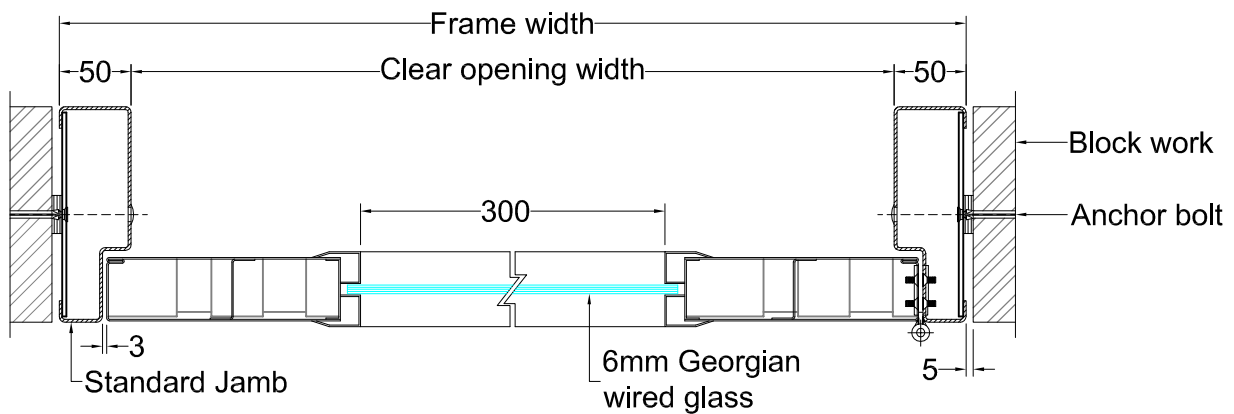
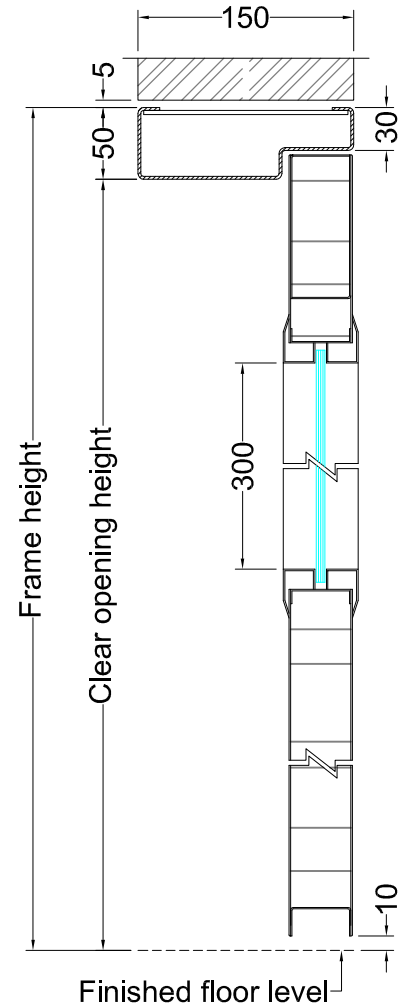
DOOR LEAF: 1mm thick slip coated pre-galvanised steel to ASTM A 527/ASTM A525, JIS G 3302 or BS 2989(1194). Zinc coating 120g/Sq.m. Lockformed panels, 4mm thick hinge reinforcing plates, hardware mounting plates and lock reinforcement.

DOOR FRAME: 1.5mm thick pre-galvanised steel sheet with welded or knowdown constructions with 4mm hinge reinforcing plates, fixing straps, hardware mounting plates and mortar guards.

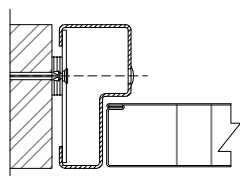
CORE MATERIAL: Paper core infill

VISION PANEL : Standard vision panel size:300x300mm

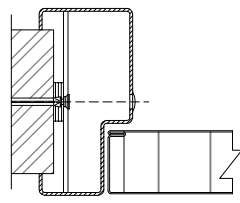
FINISH: Polyester powder coating



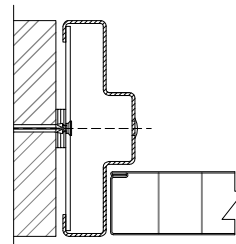
Various Rabbets available



Single



Knock down



Double

SINGLE DOOR

4 Hour Fire Rating

STANDARD SPECIFICATION:

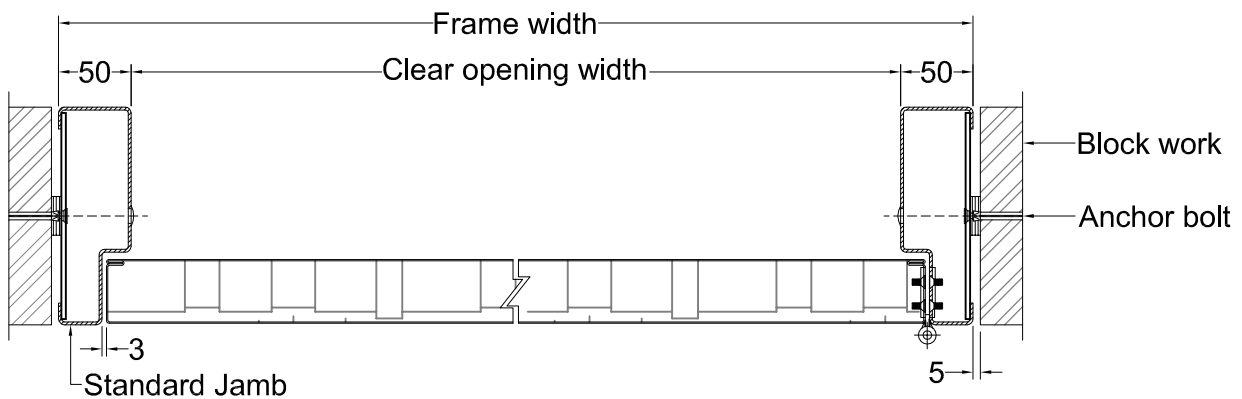
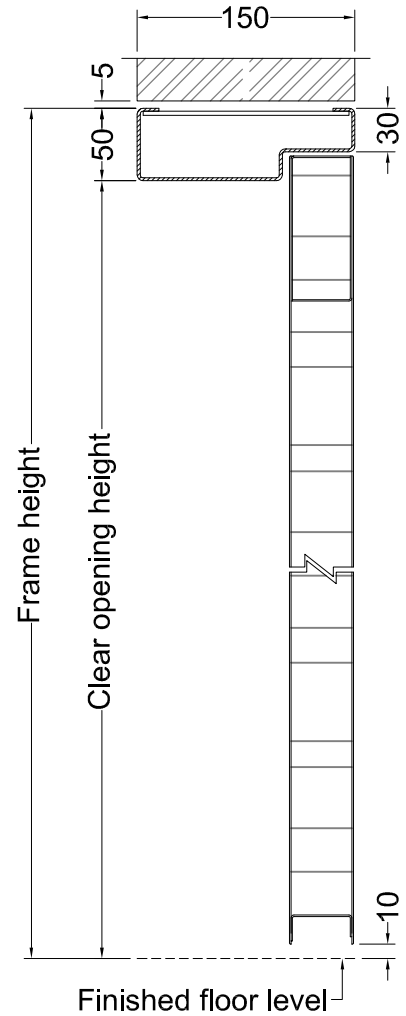
(BS 476 Part 22)

DOOR LEAF: 1mm thick slip coated pre-galvanised steel to ASTM A 527/ASTM A525, JIS G 3302 or BS 2989(1194). Zinc coating 120g/Sq.m. Lockformed panels, 4mm thick hinge reinforcing plates, hardware mounting plates and lock reinforcement.

DOOR FRAME: 1.5mm thick pre-galvanised steel sheet with welded or knockdown constructions with 4mm hinge reinforcing plates, fixing straps, hardware mounting plates and mortar guards.

CORE MATERIAL: Paper core infill

FINISH: Polyester powder coating



Various Rabbets available

