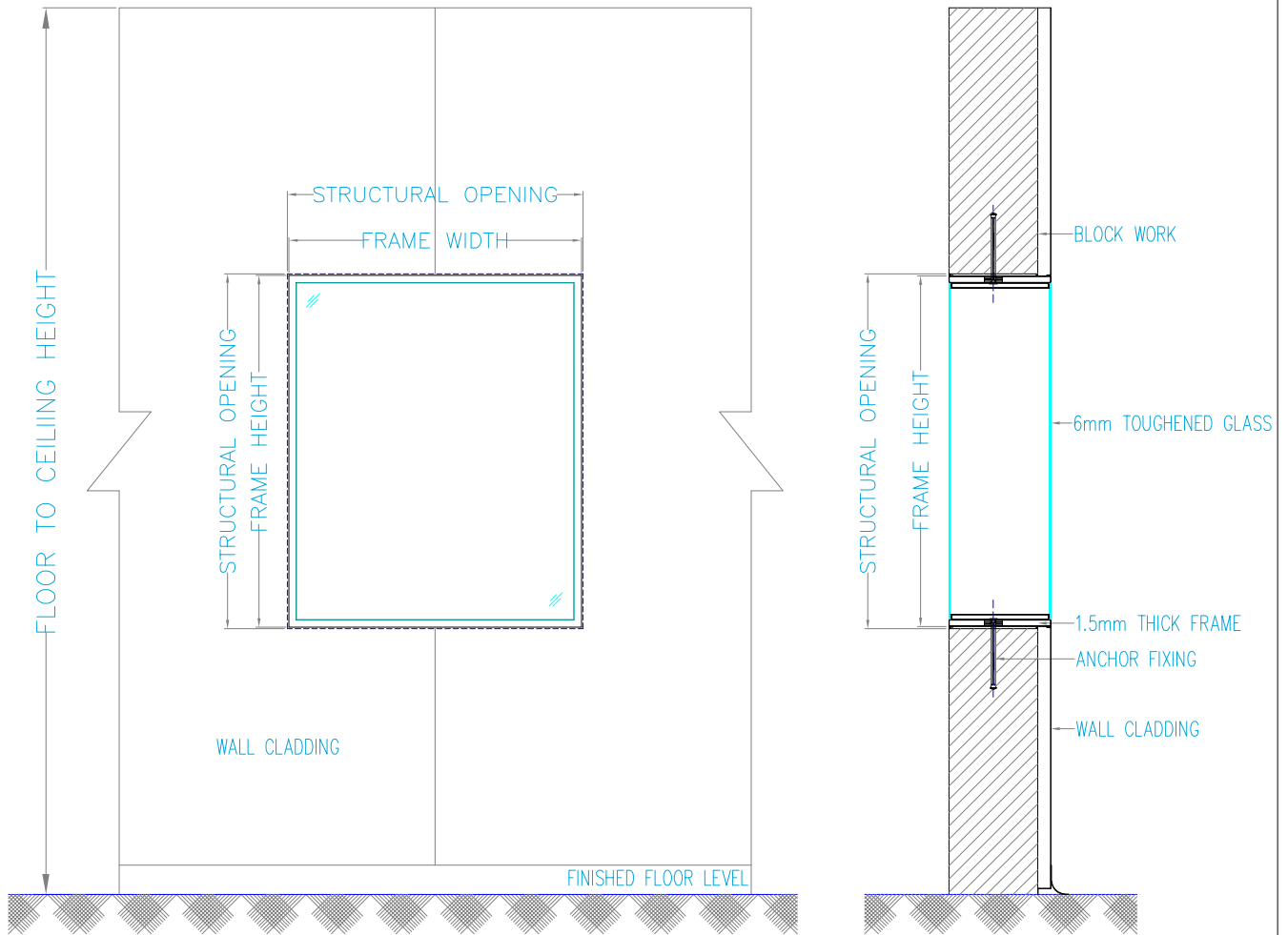
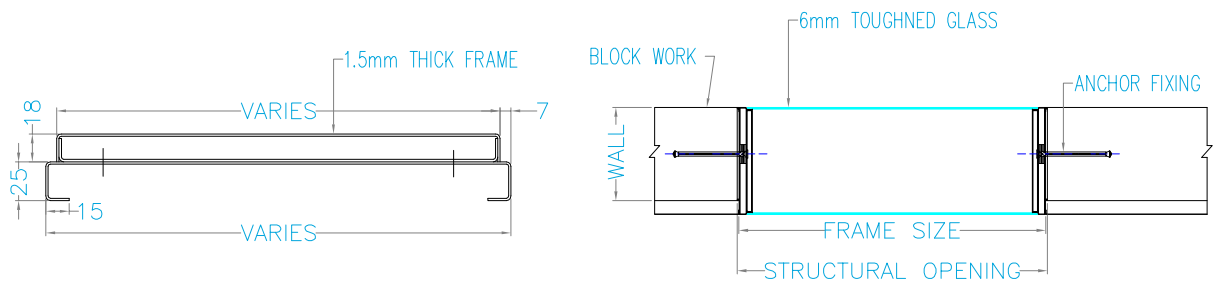


## CAPSULE WINDOW



ELEVATION

VERTICAL ELEVATION

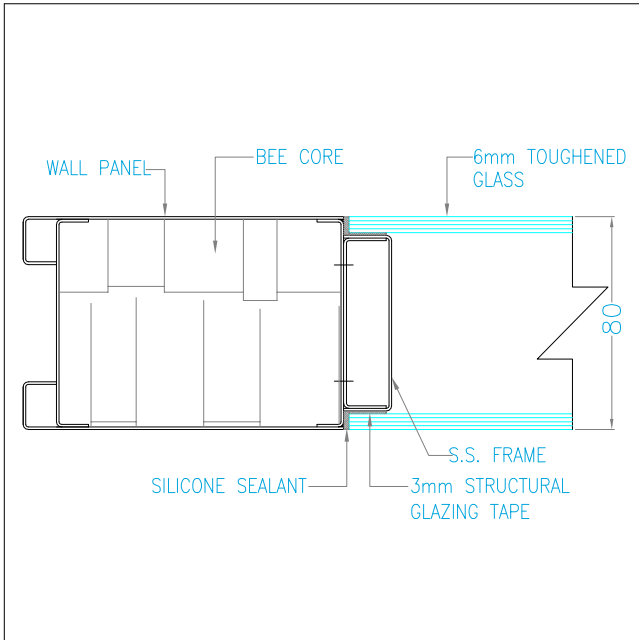


WINDOW FRAME

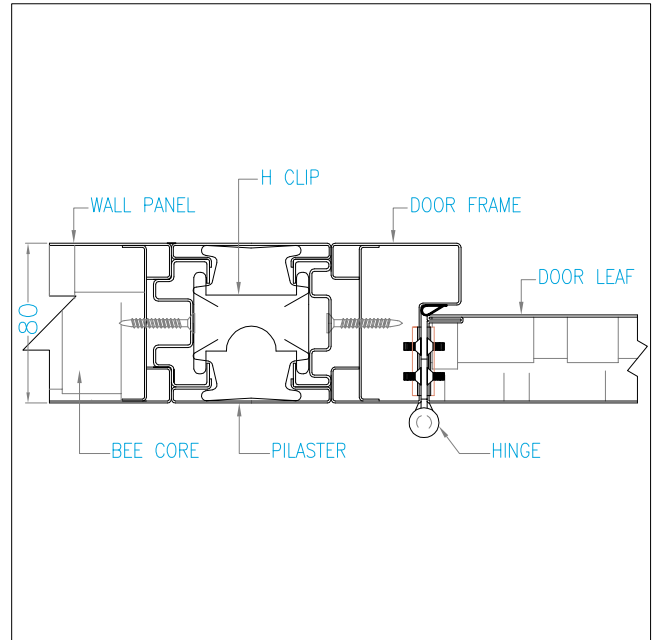
HORIZONTAL SECTION



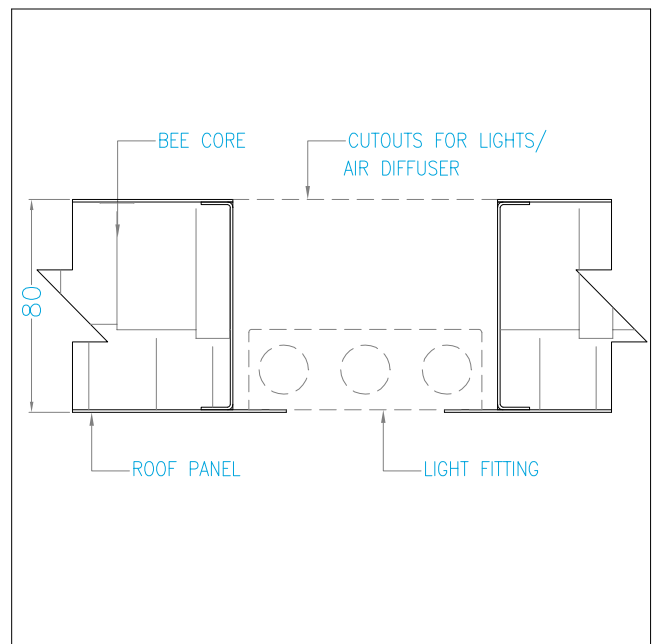
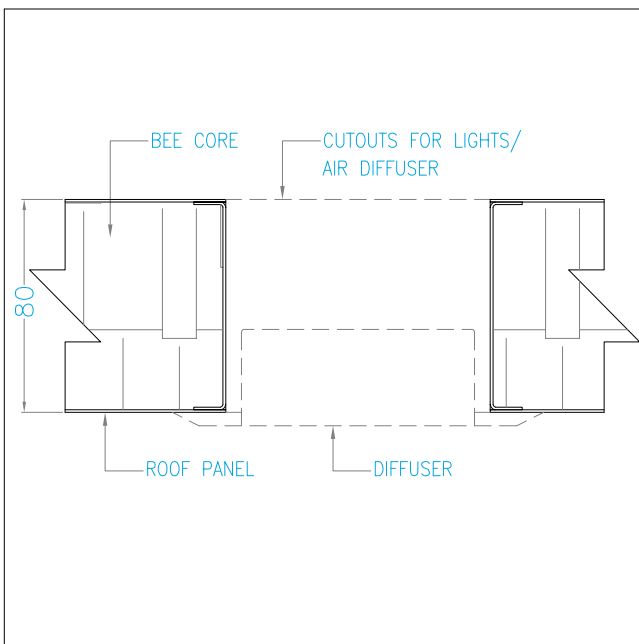
**GLAZE DETAIL**



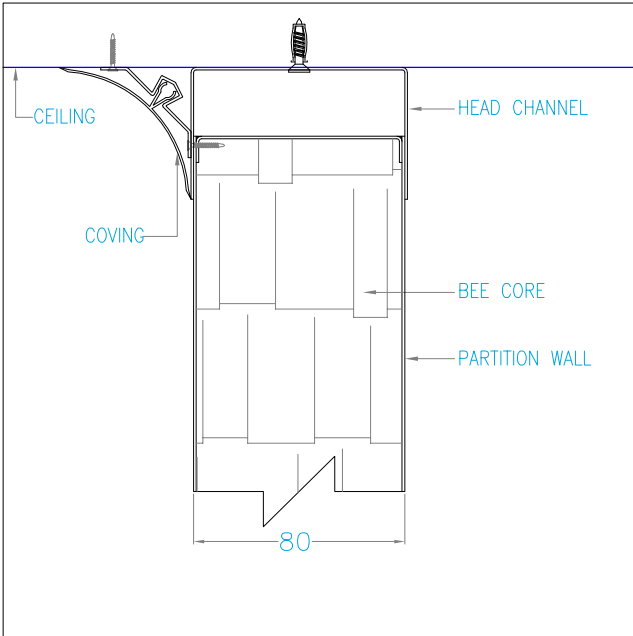
**SOLID TO DOOR**



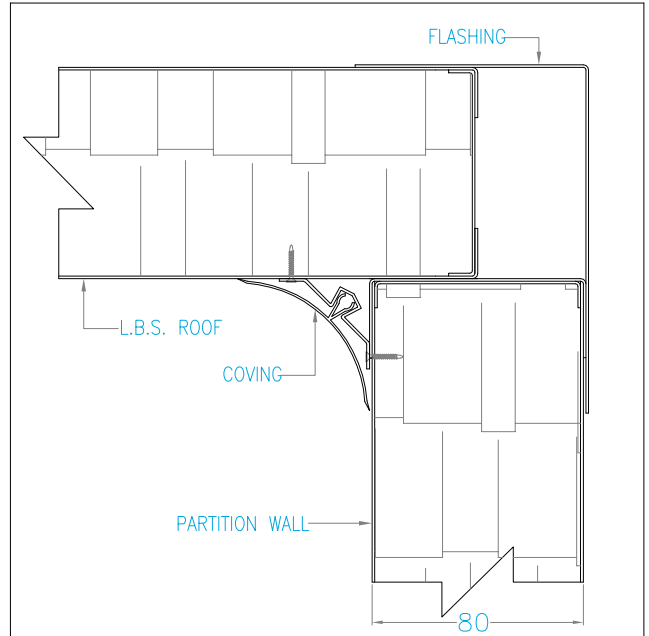
**ROOF CUTOUTS**



### HEAD DETAIL

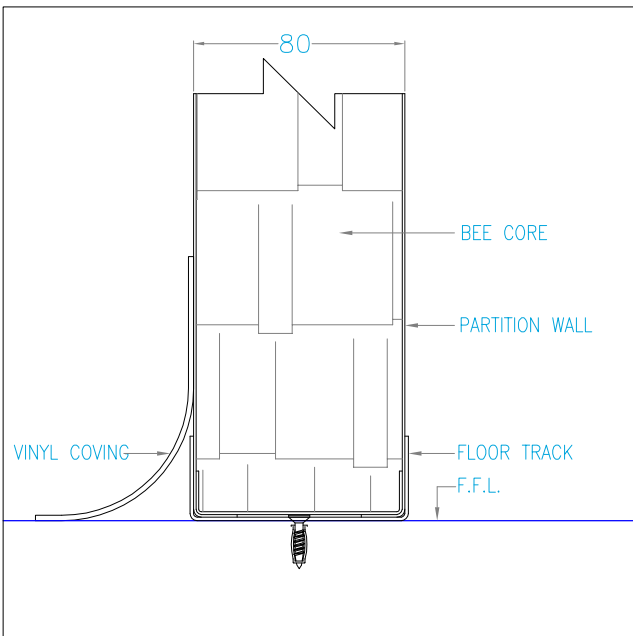


FLOOR TO CEILING

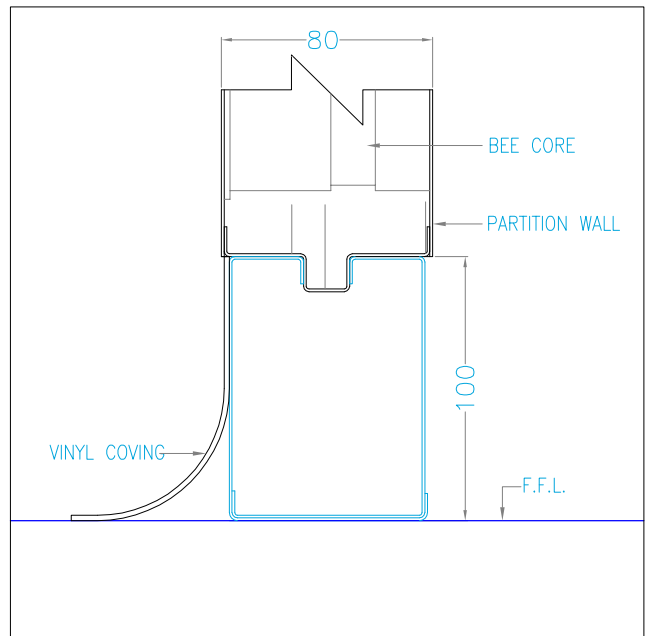


LOAD BEARING

### PANEL BASES

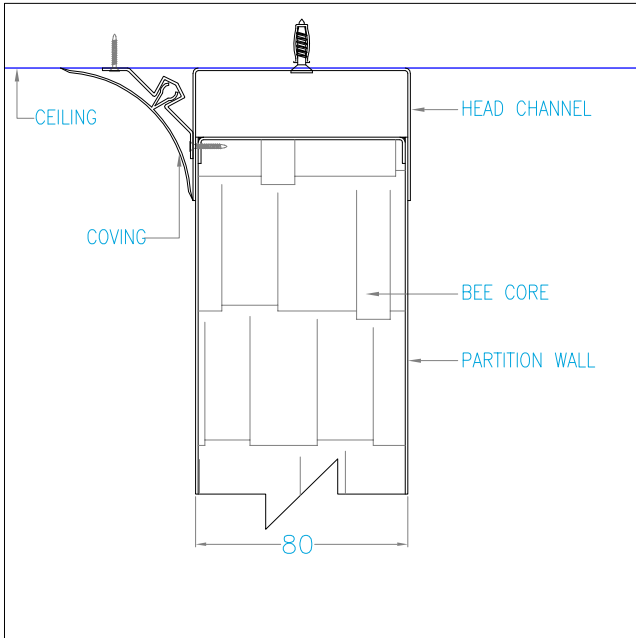


STANDARD BASE

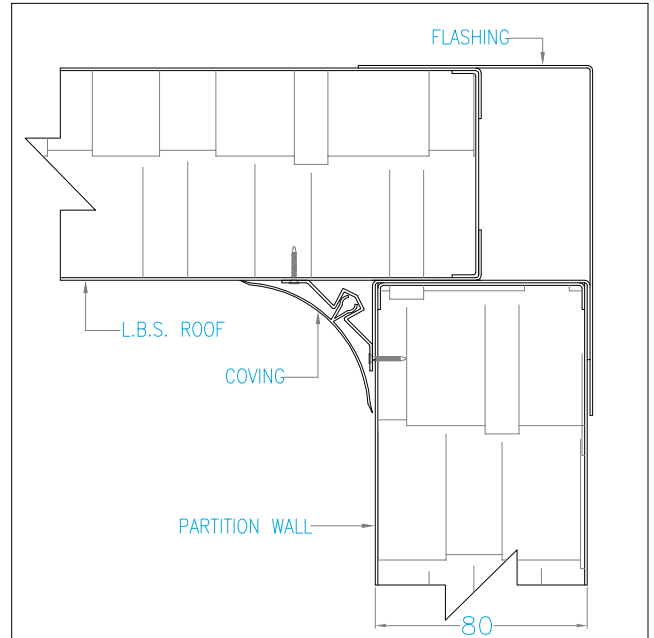


RECESSED BASE

HEAD DETAIL

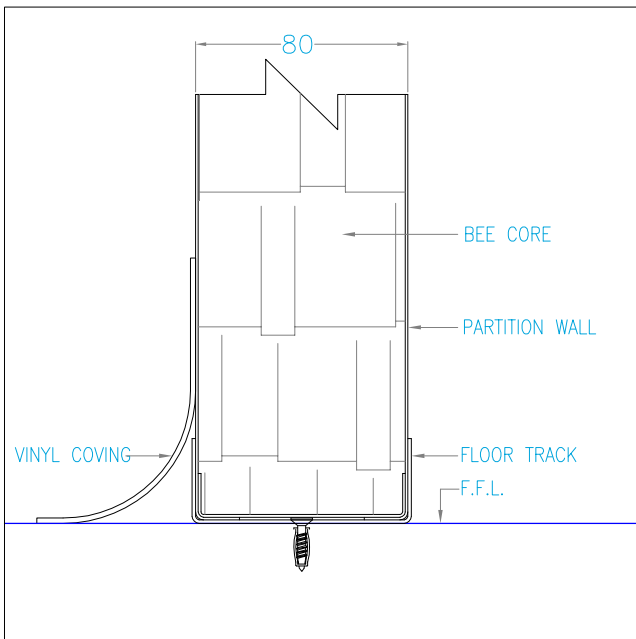


FLOOR TO CEILING

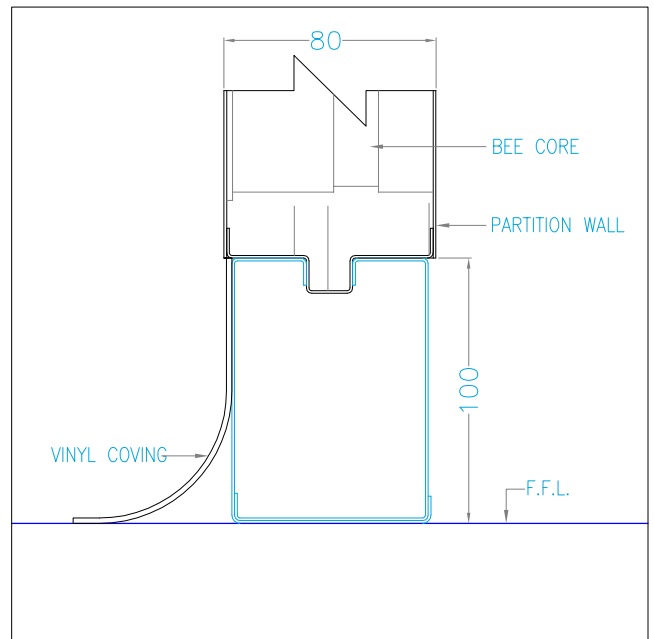


LOAD BEARING

PANEL BASES

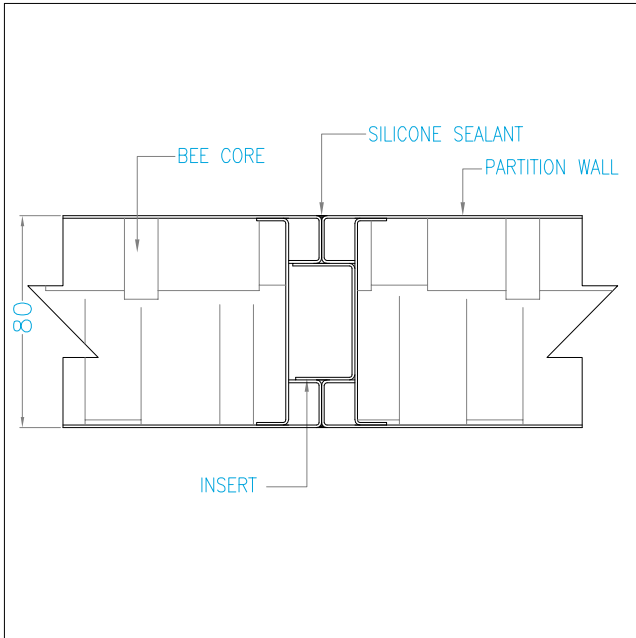


STANDARD BASE

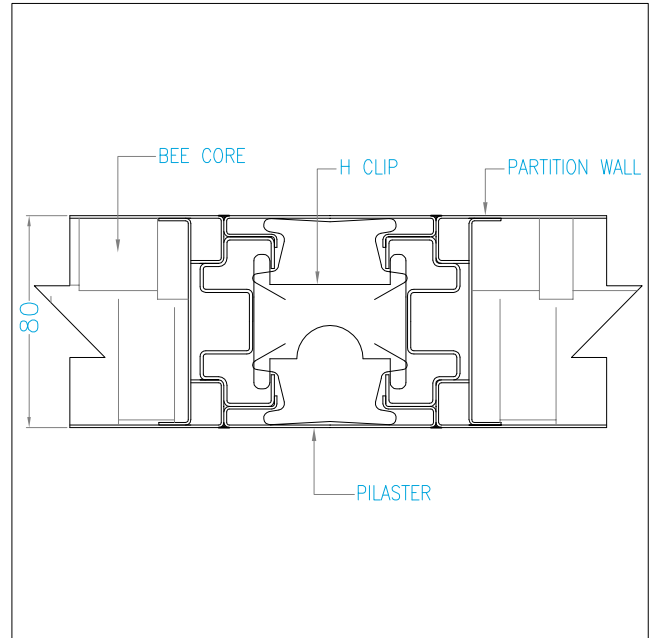


RECESSED BASE

### PANEL JOINT

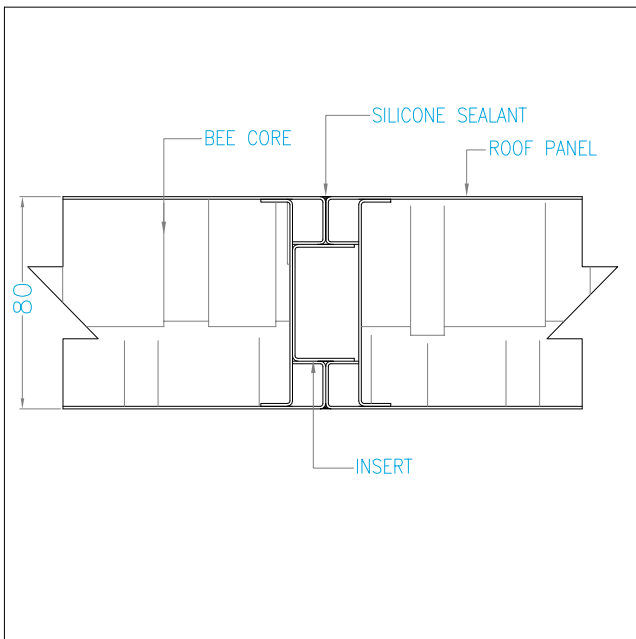


MALE FEMALE JOINT

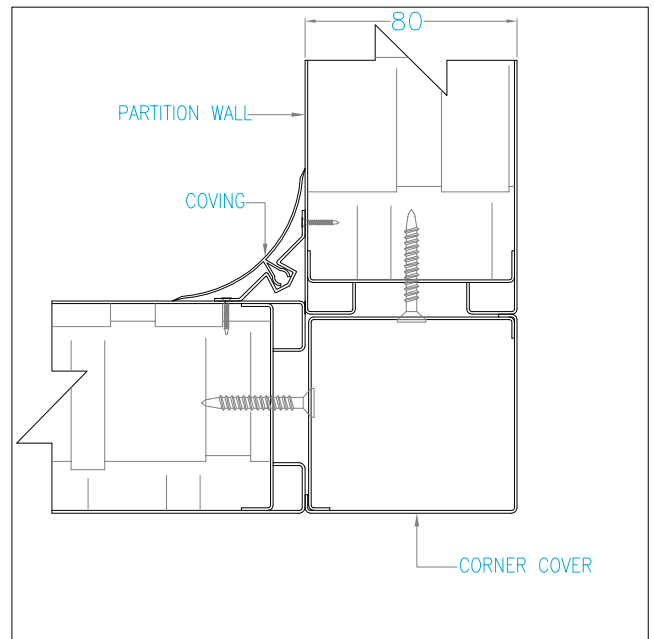


PILASTER JOINT

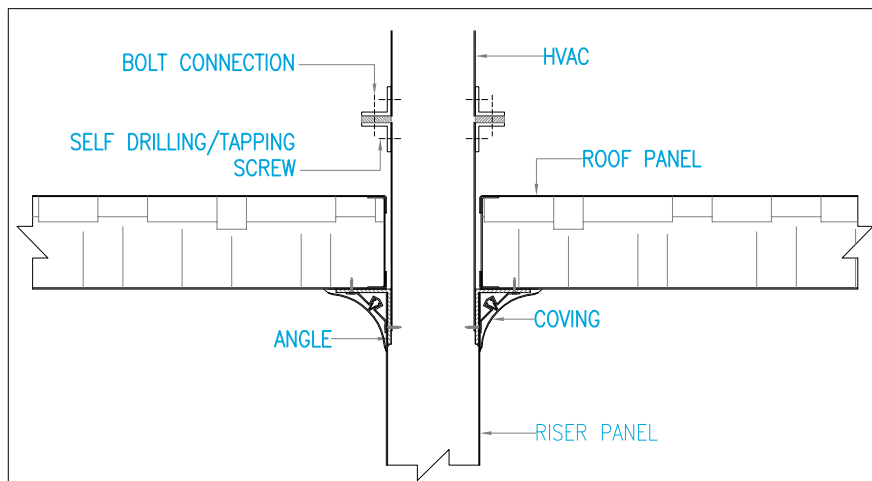
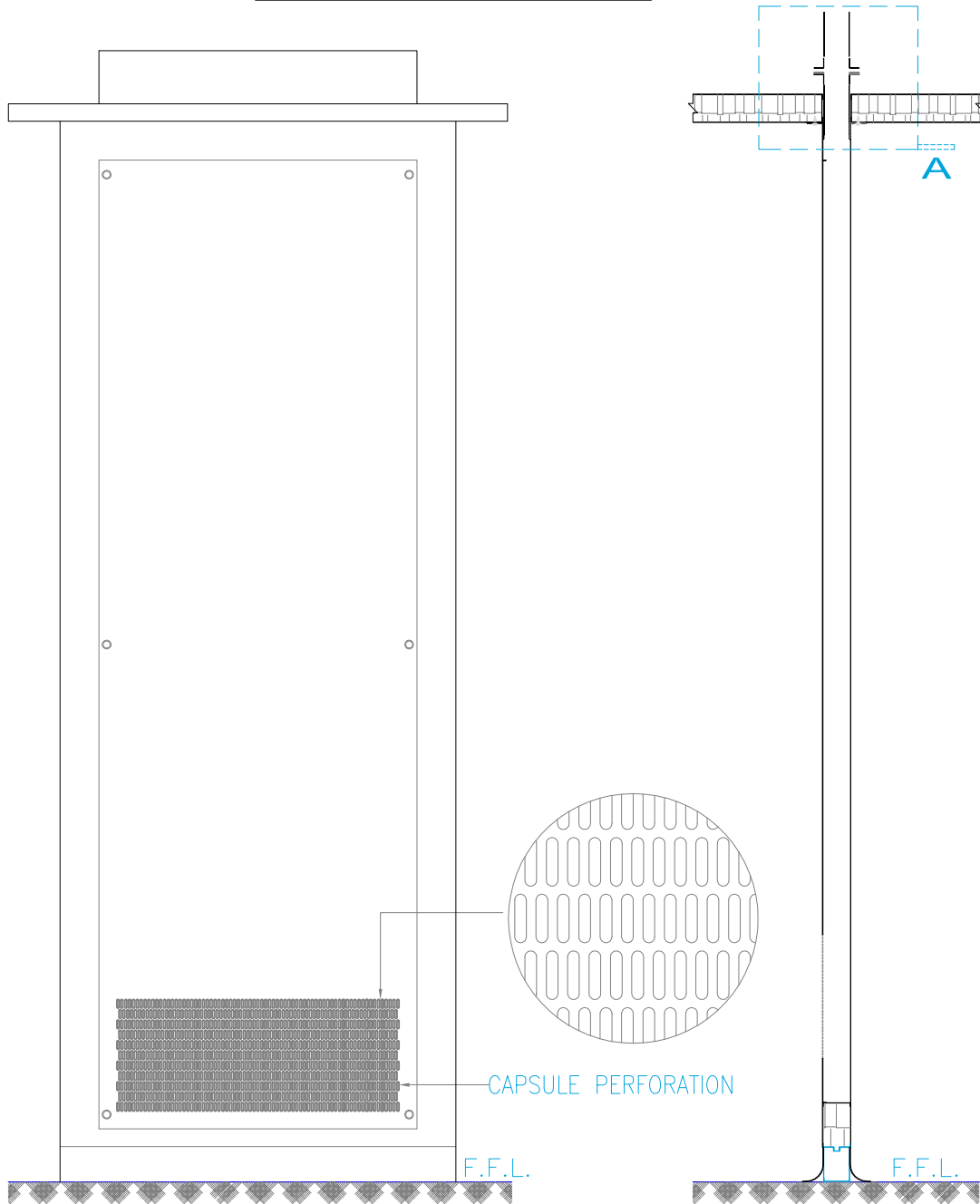
### ROOF PANEL JOINT



### CORNER COVER

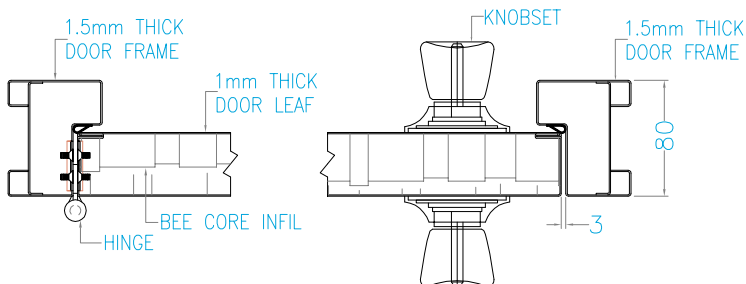
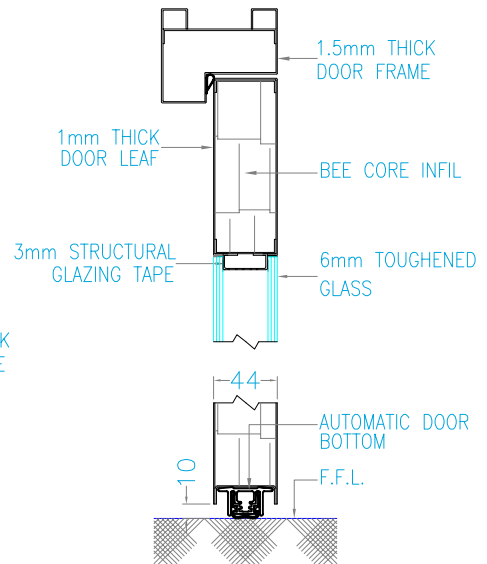
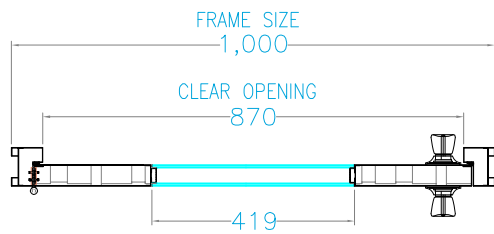
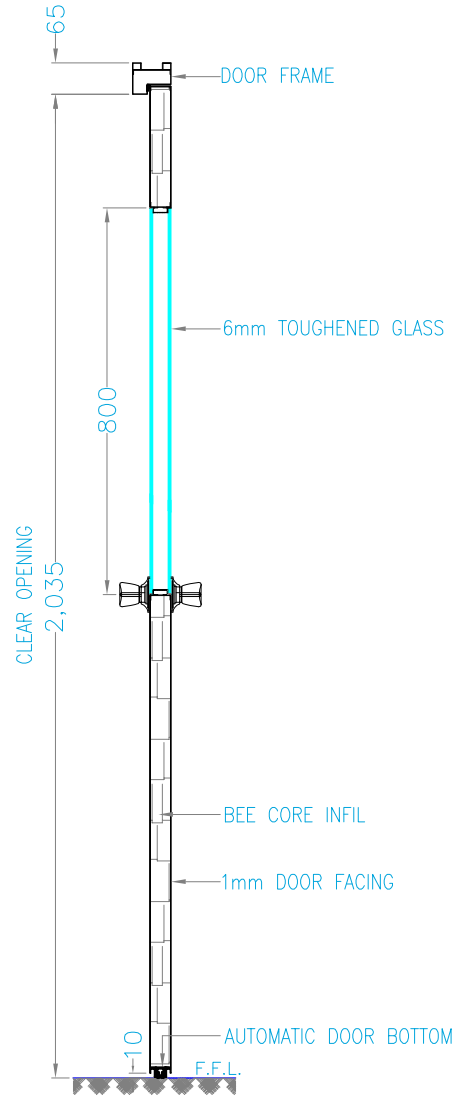
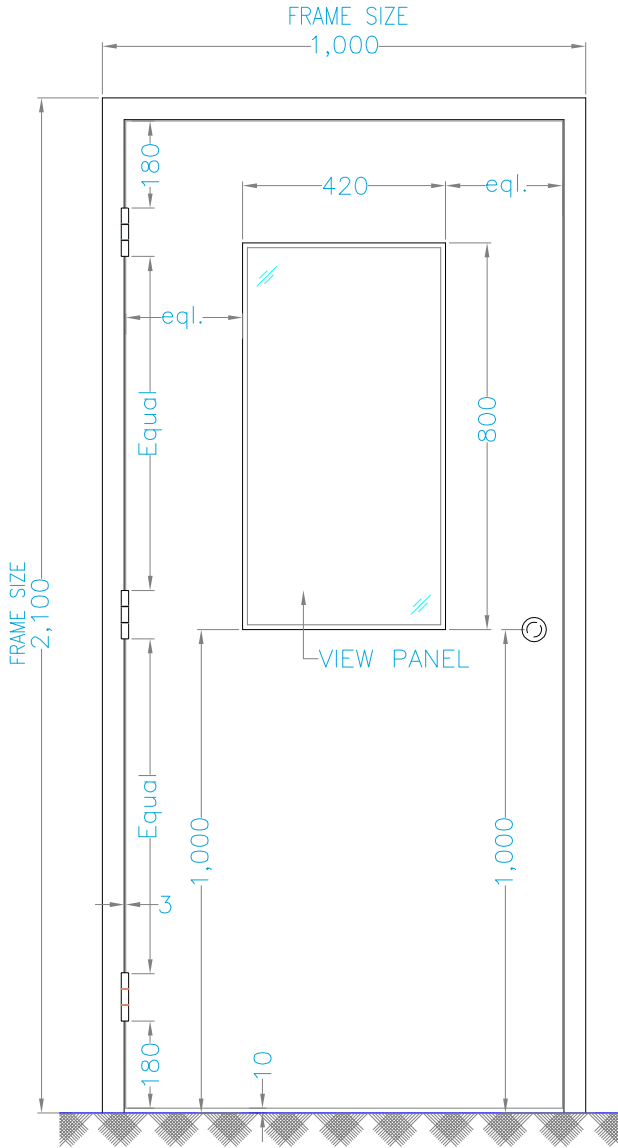


**RISER DUCT DETAILS**



**DETAIL A**

## SINGLE DOOR UNIT

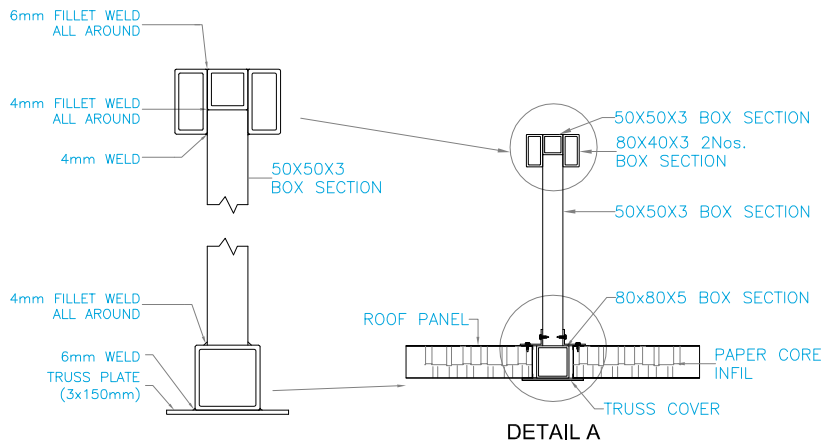
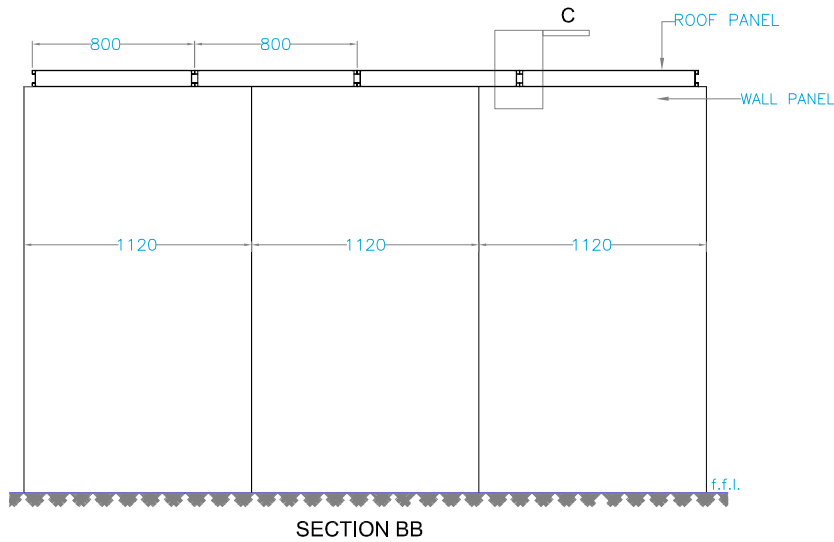
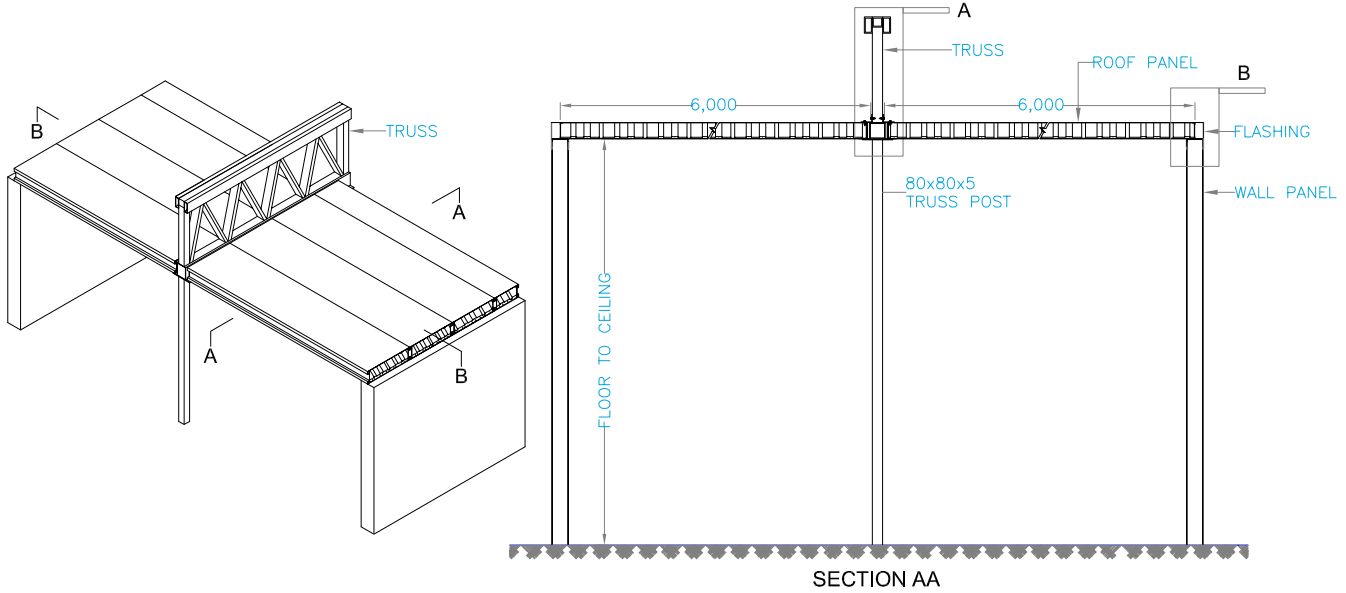


**LOAD BEARING CEILING**

**Truss Frame, Post, Roof & Wall Panels for Cleanrooms**

**CERTIFICATE OF DESIGN APPRAISAL**

ADH.40C2.236/CD1

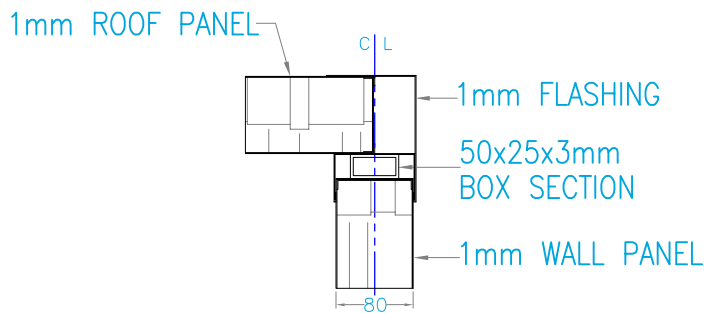


**LOAD BEARING CEILING**

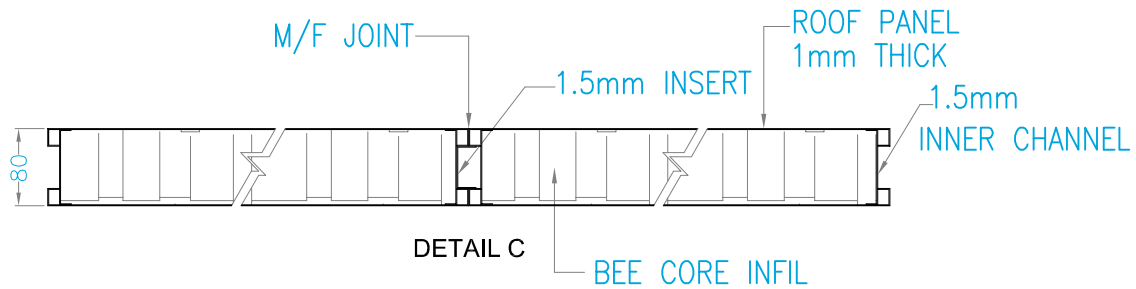
**Truss Frame, Post, Roof & Wall Panels for Cleanrooms**

CERTIFICATE OF DESIGN APPRAISAL

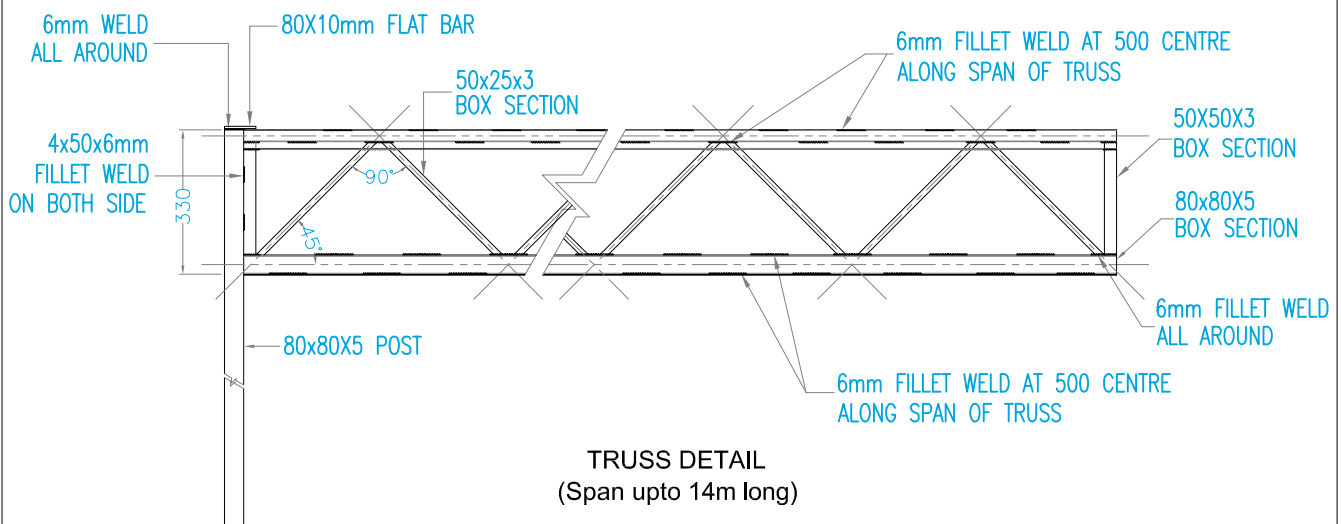
ADH.40C2.236/CD1



DETAIL B

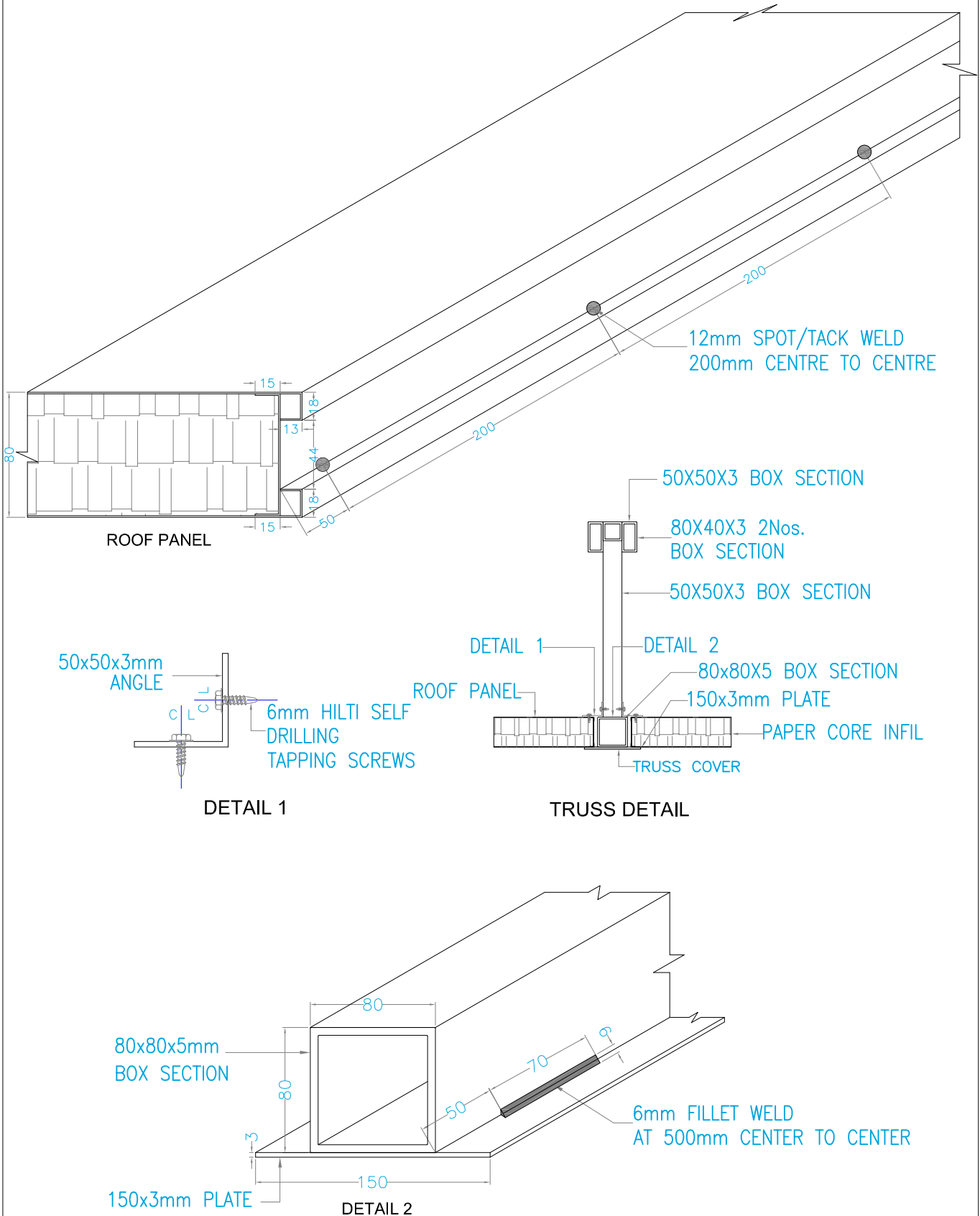


DETAIL C



TRUSS DETAIL  
(Span upto 14m long)

**LOAD BEARING CEILING**



CLEANROOM WALL CLADDING

SINGLE SKIN

